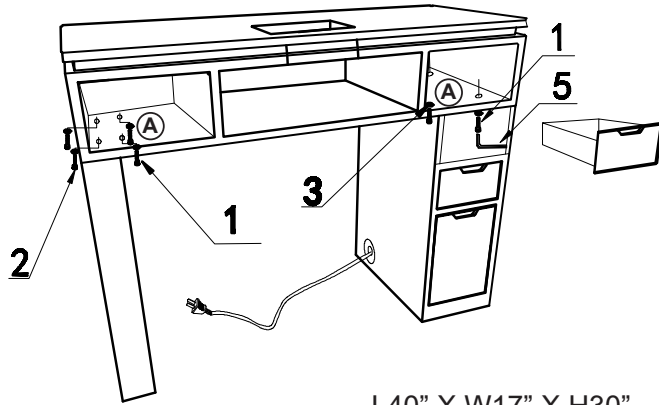
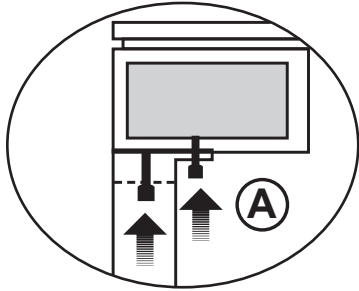


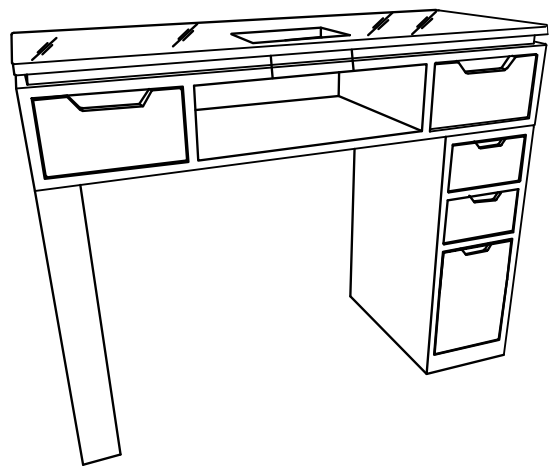
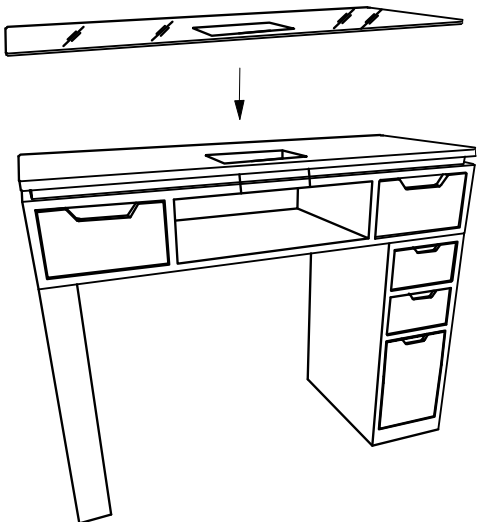
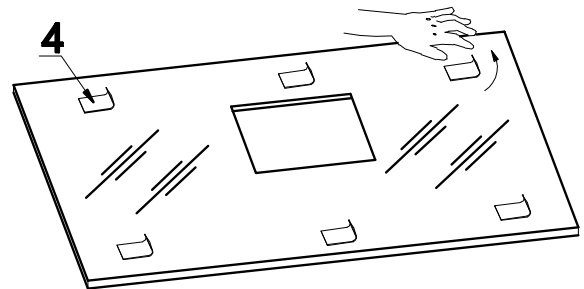
INSTRUCTION

Valentino Lux Table

Before assembling and using the Trolley, please read the following Diagrams carefully.



L40" X W17" X H30"



1



M6X40

Screws-4pcs

2



M6X60

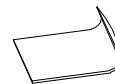
Screws-2pcs

3



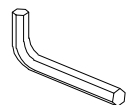
Washers-6pcs

4



Sticker-6pcs

5



Wrench-1pc