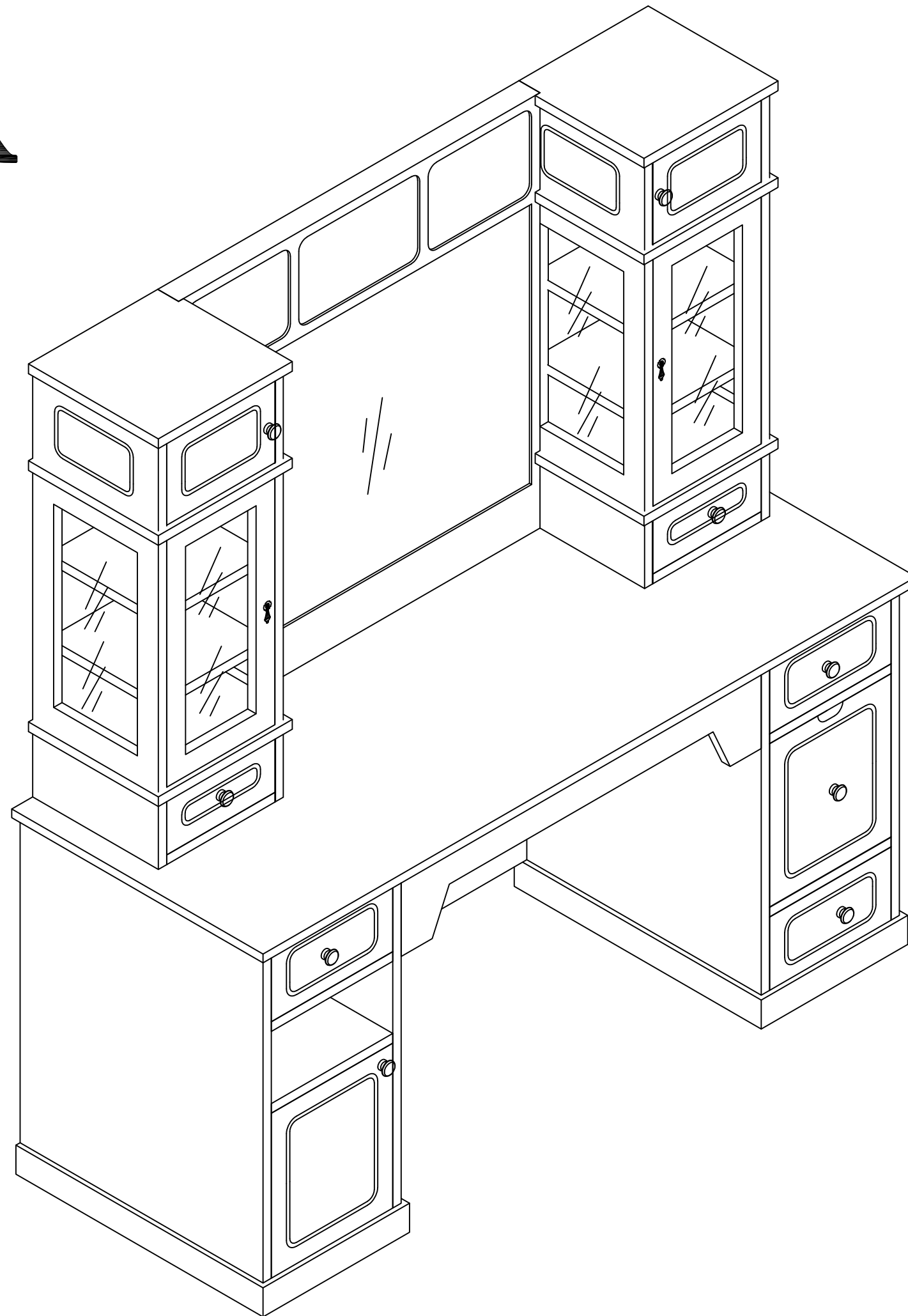


DIR

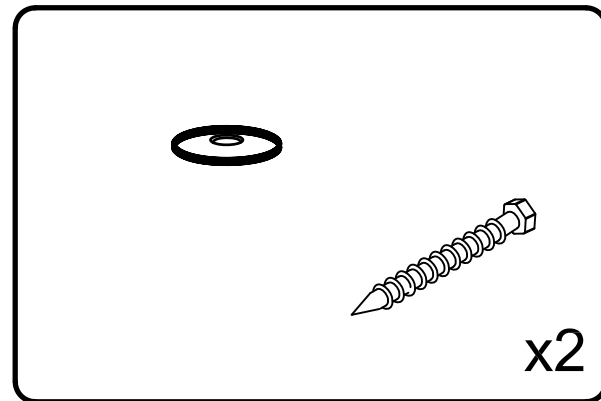


BRITANNICA

6887

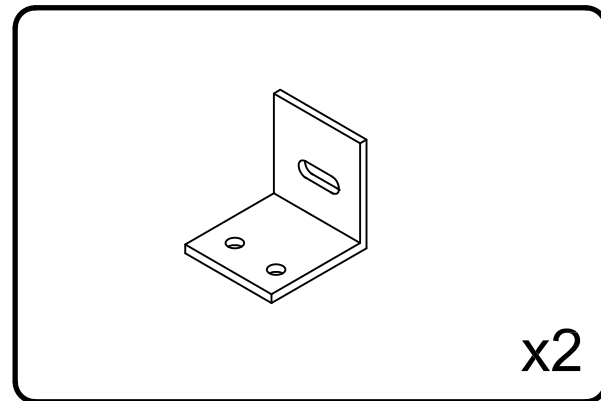
INSTRUCTION MANUAL

List of Parts & Tools



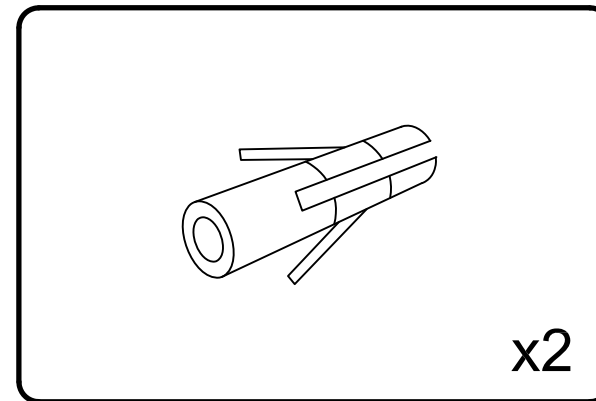
101001

x2



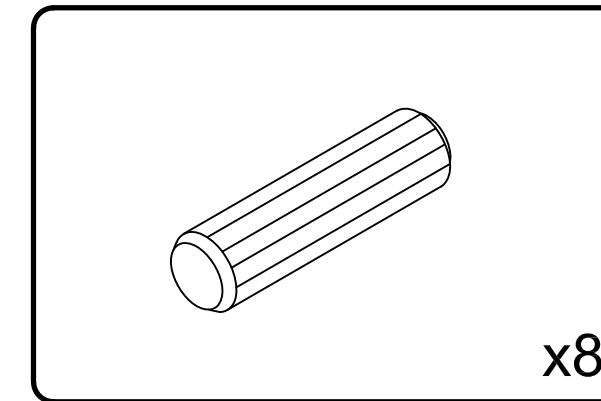
101002

x2



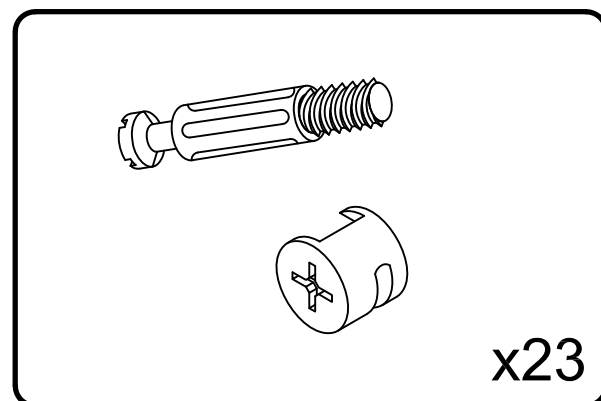
101003

x2



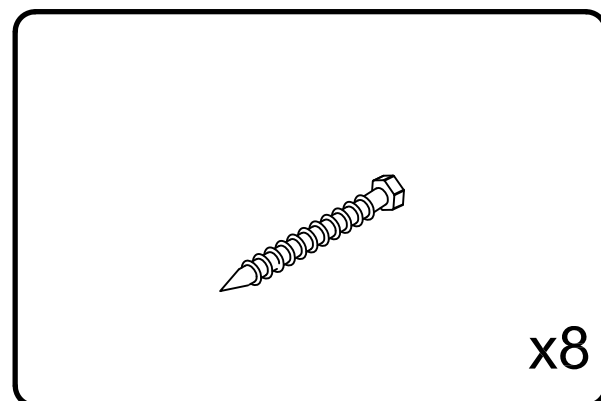
101004

x8



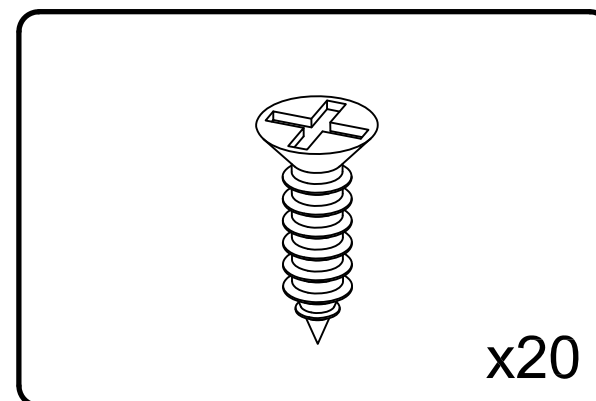
101005

x23



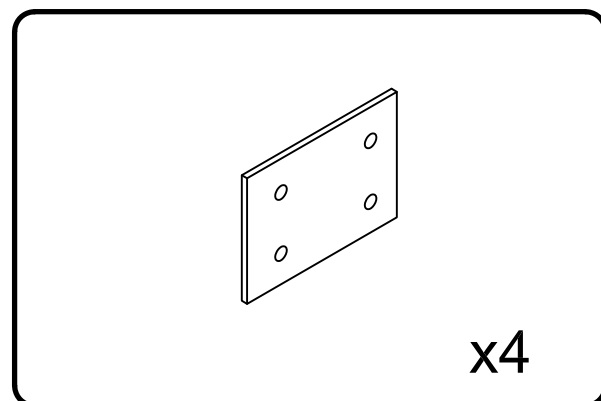
101006

x8



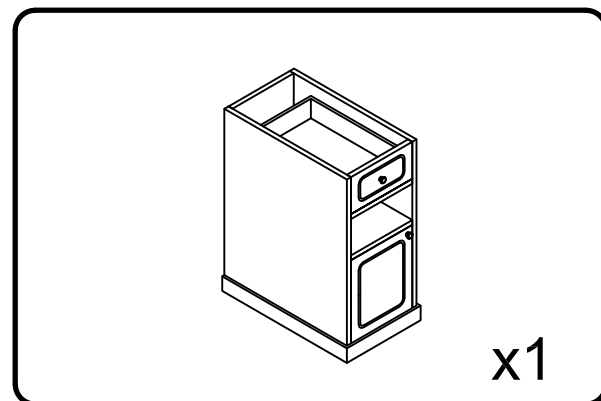
101007

x20



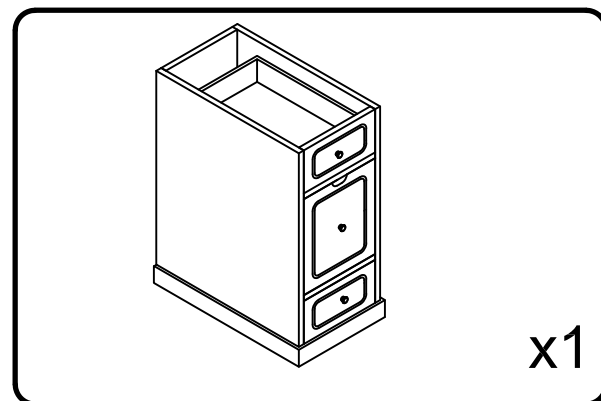
101008

x4



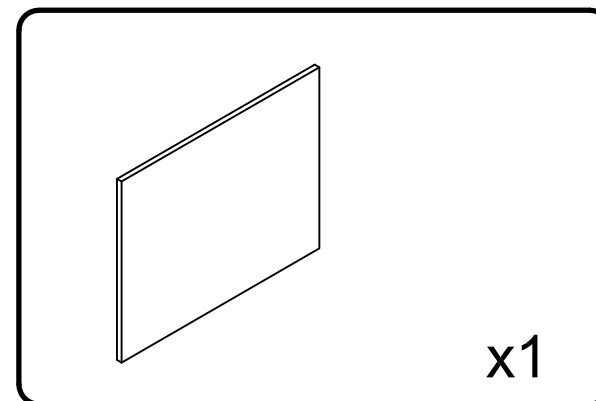
101009

x1



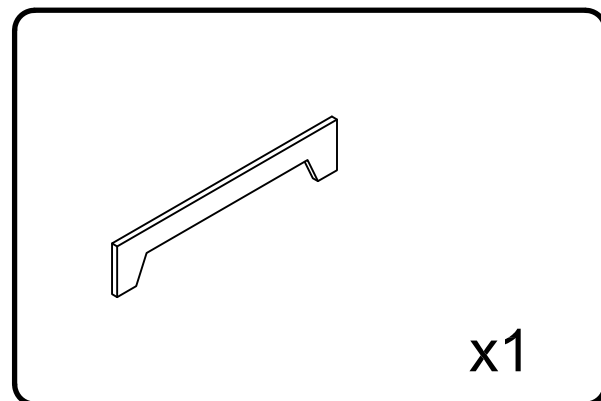
101010

x1



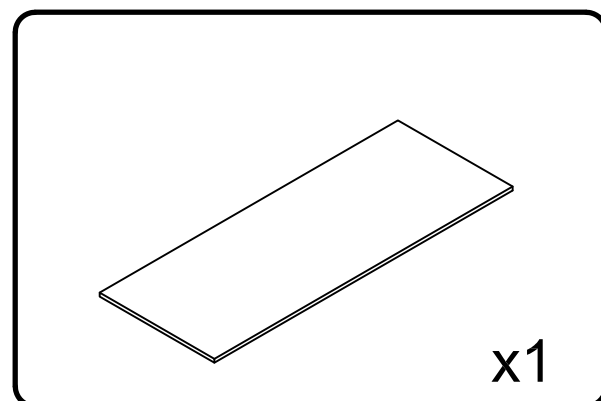
101011

x1



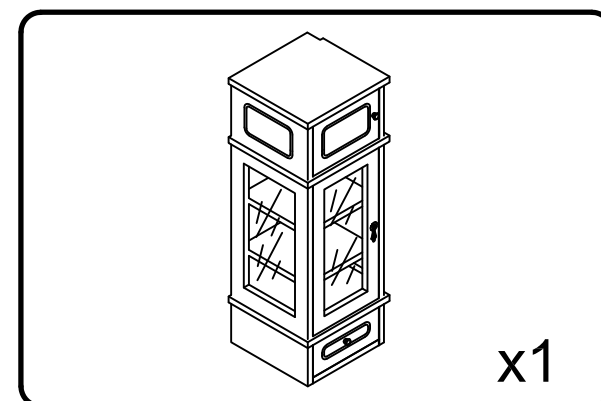
101012

x1



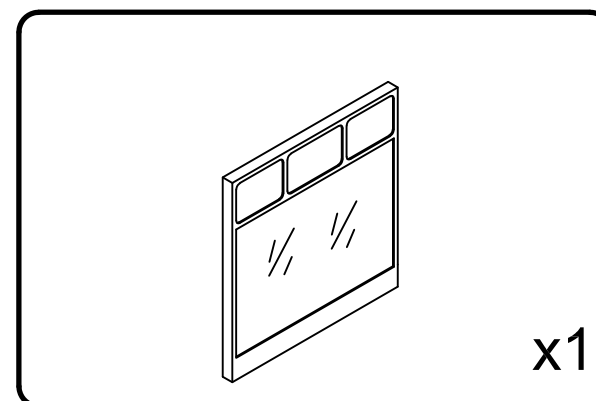
101013

x1



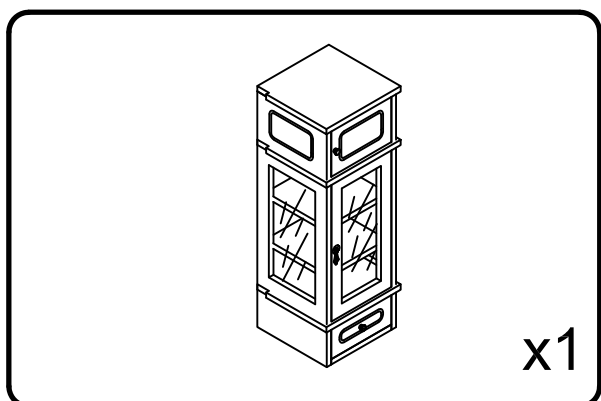
101014

x1



101015

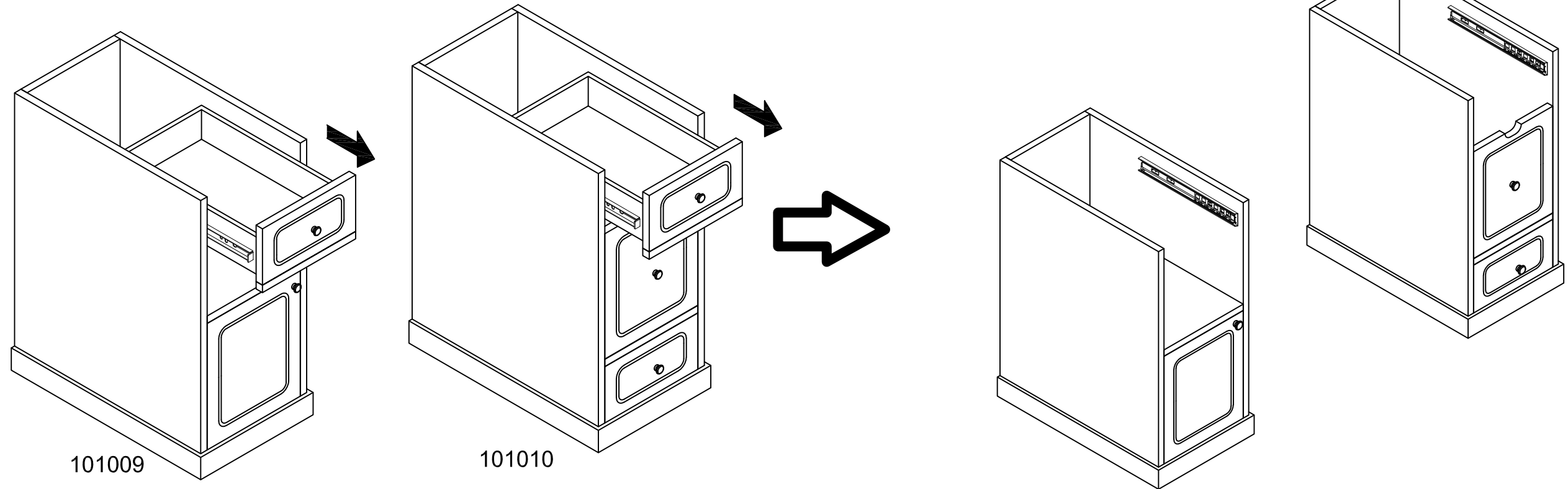
x1



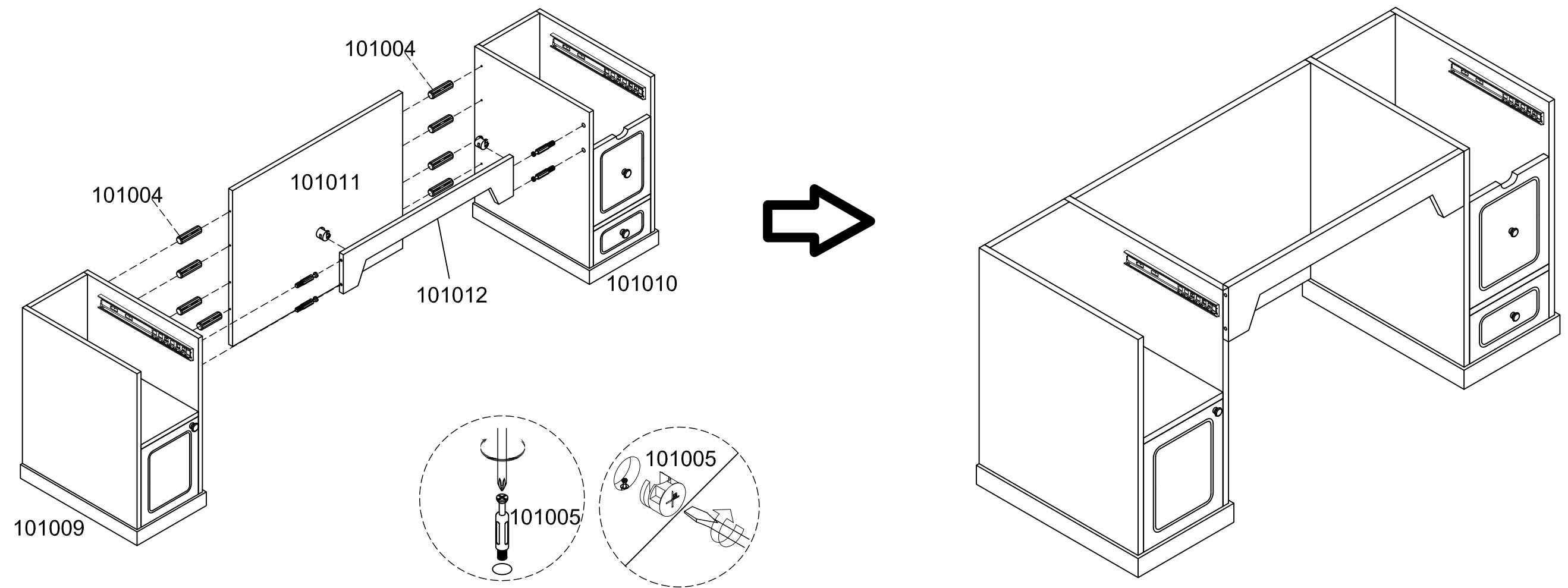
101016

x1

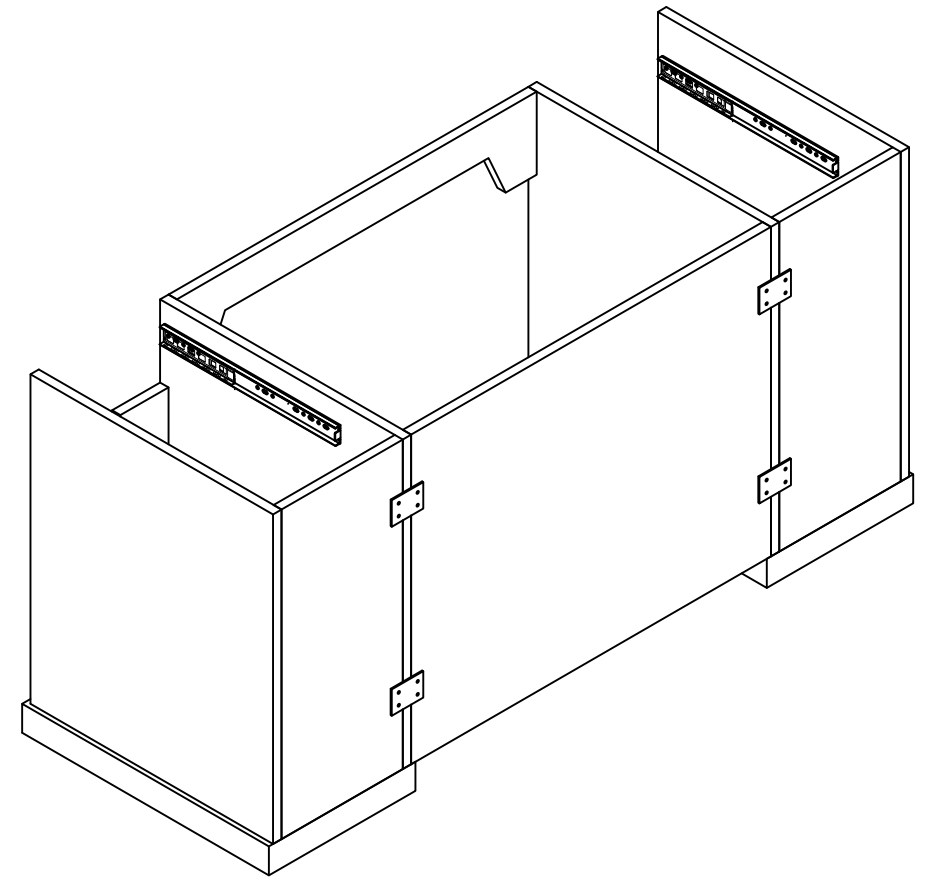
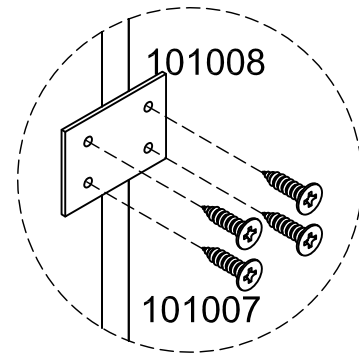
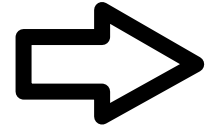
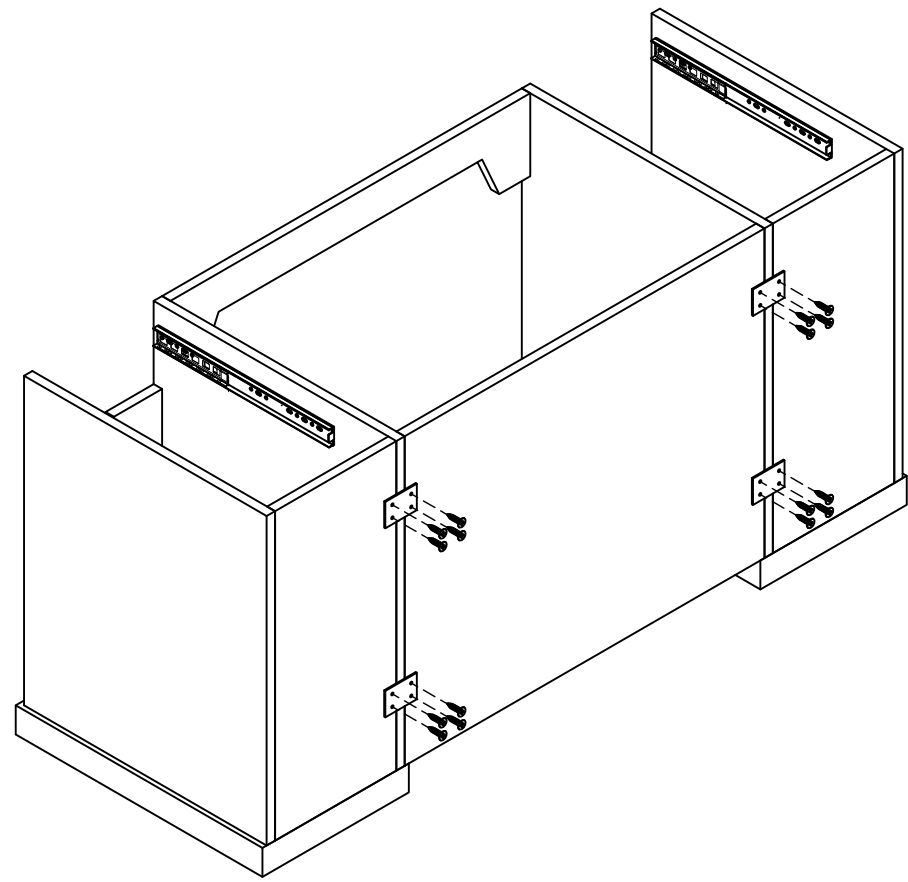
Step 1



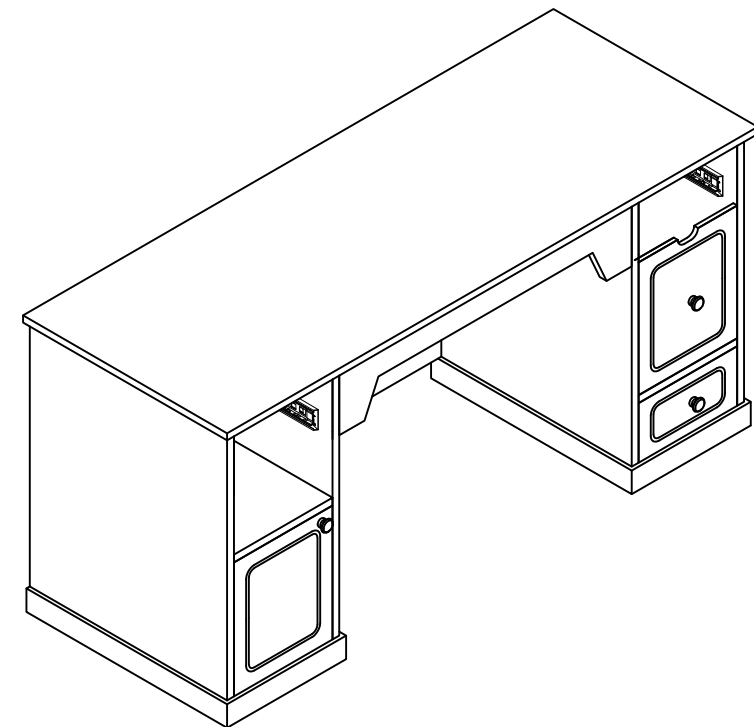
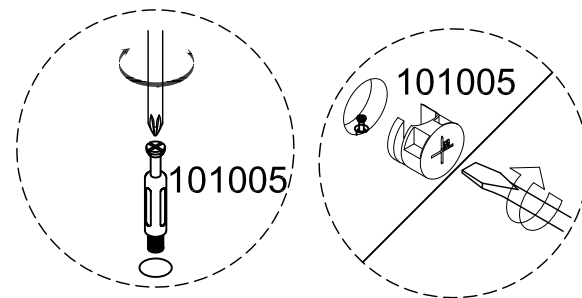
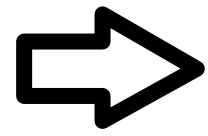
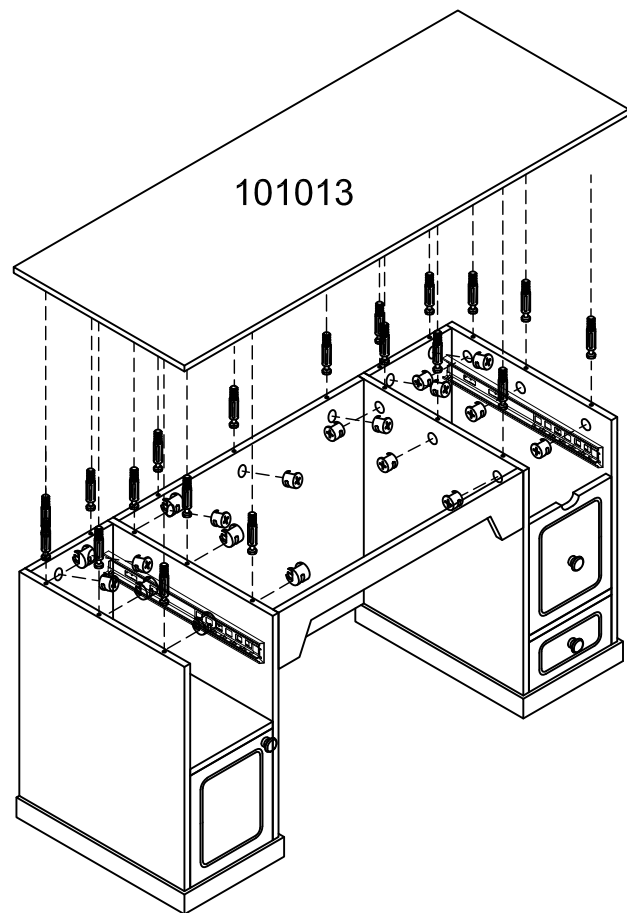
Step 2



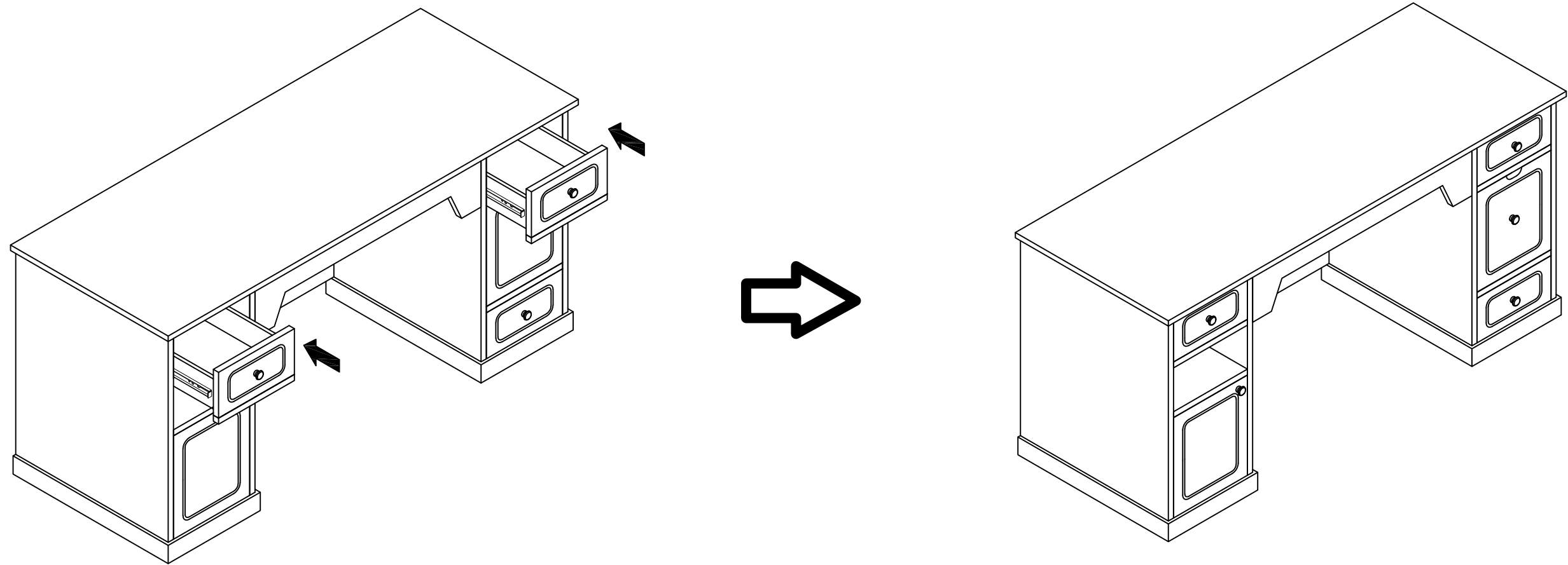
Step 3



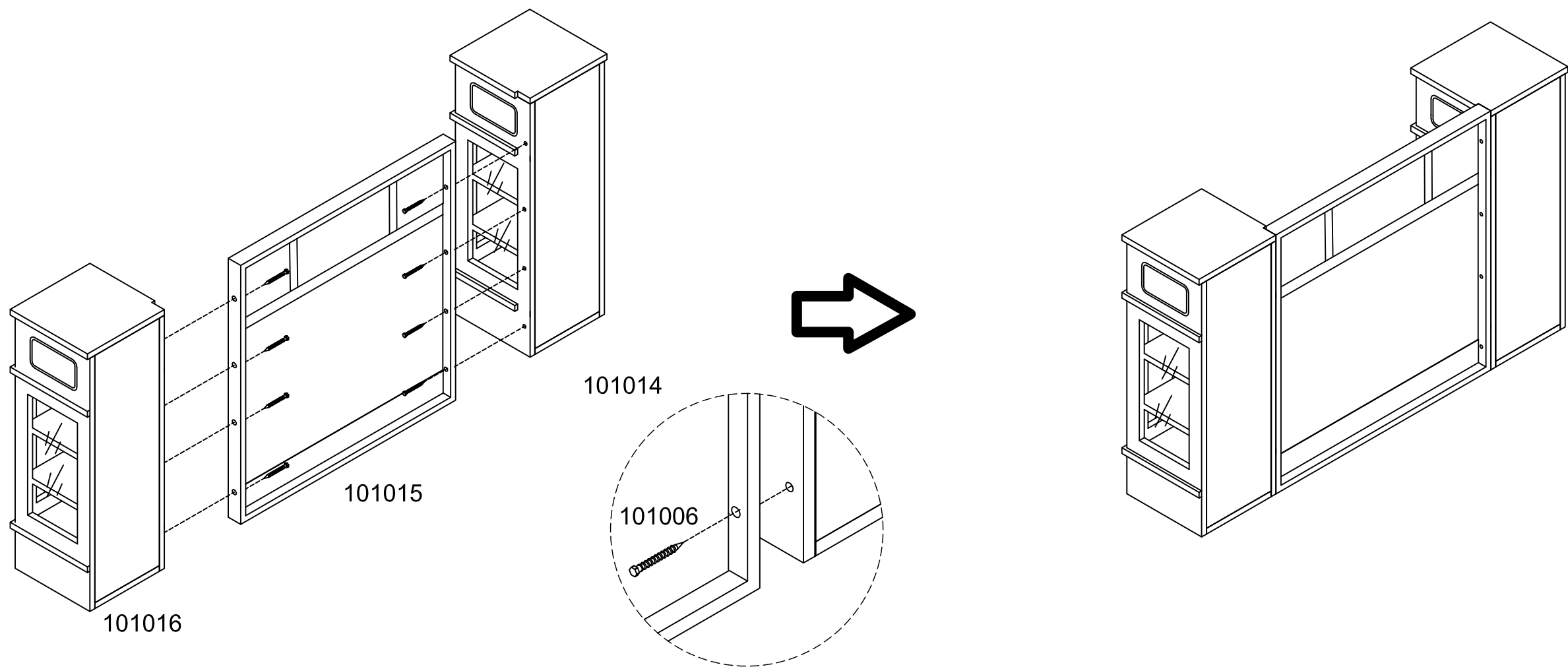
Step 4



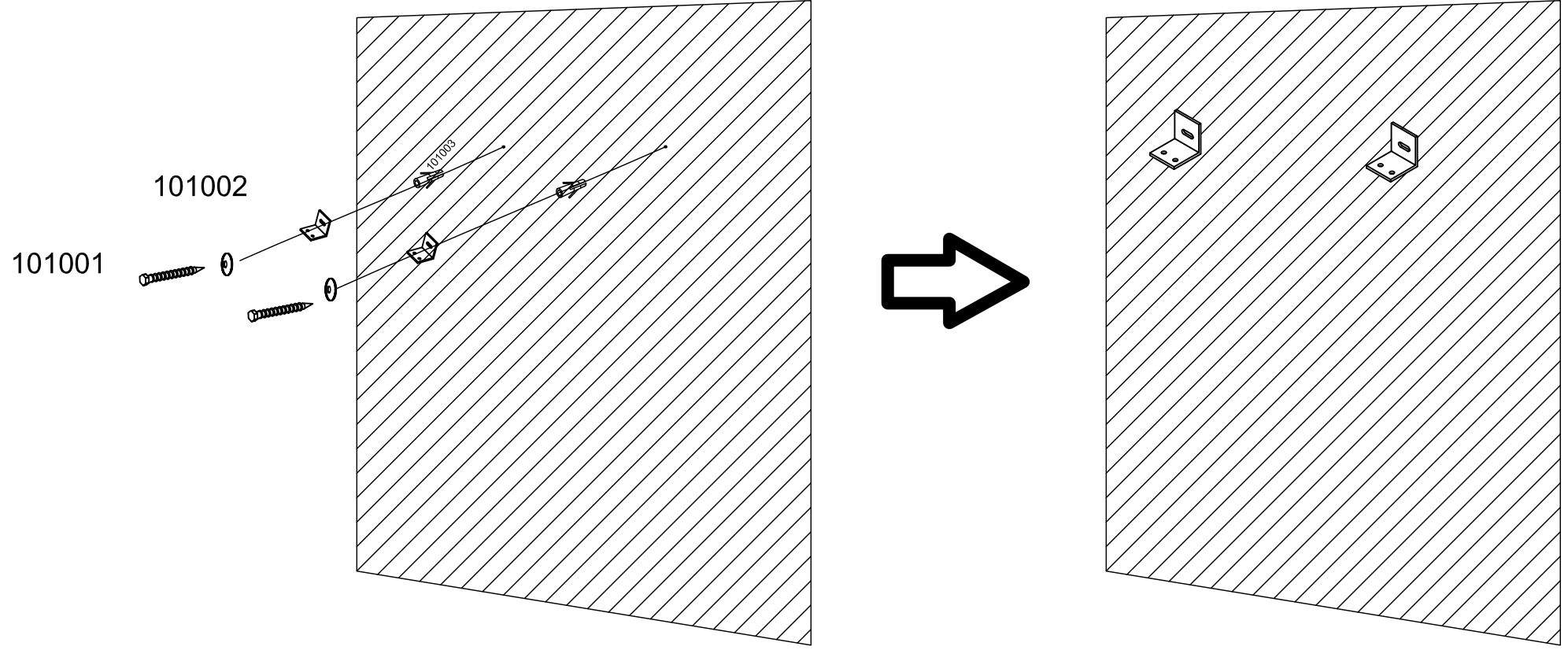
Step 5



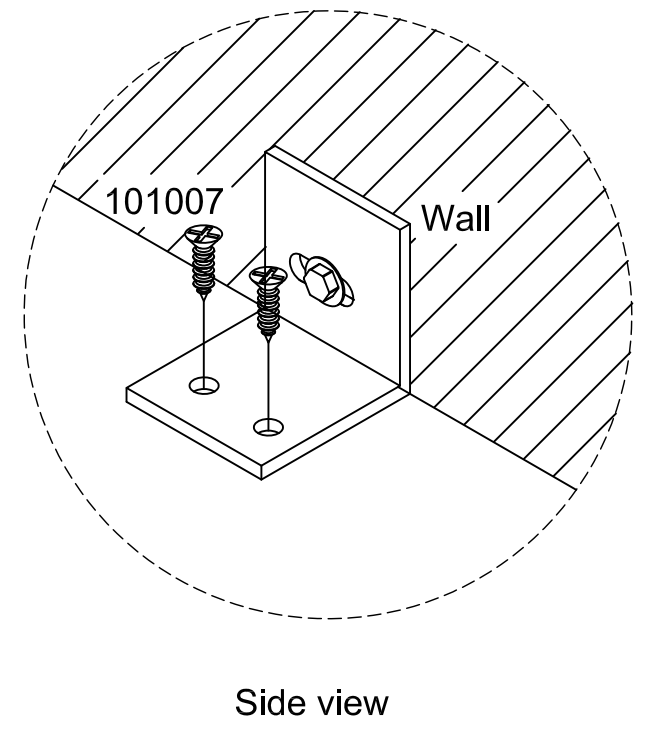
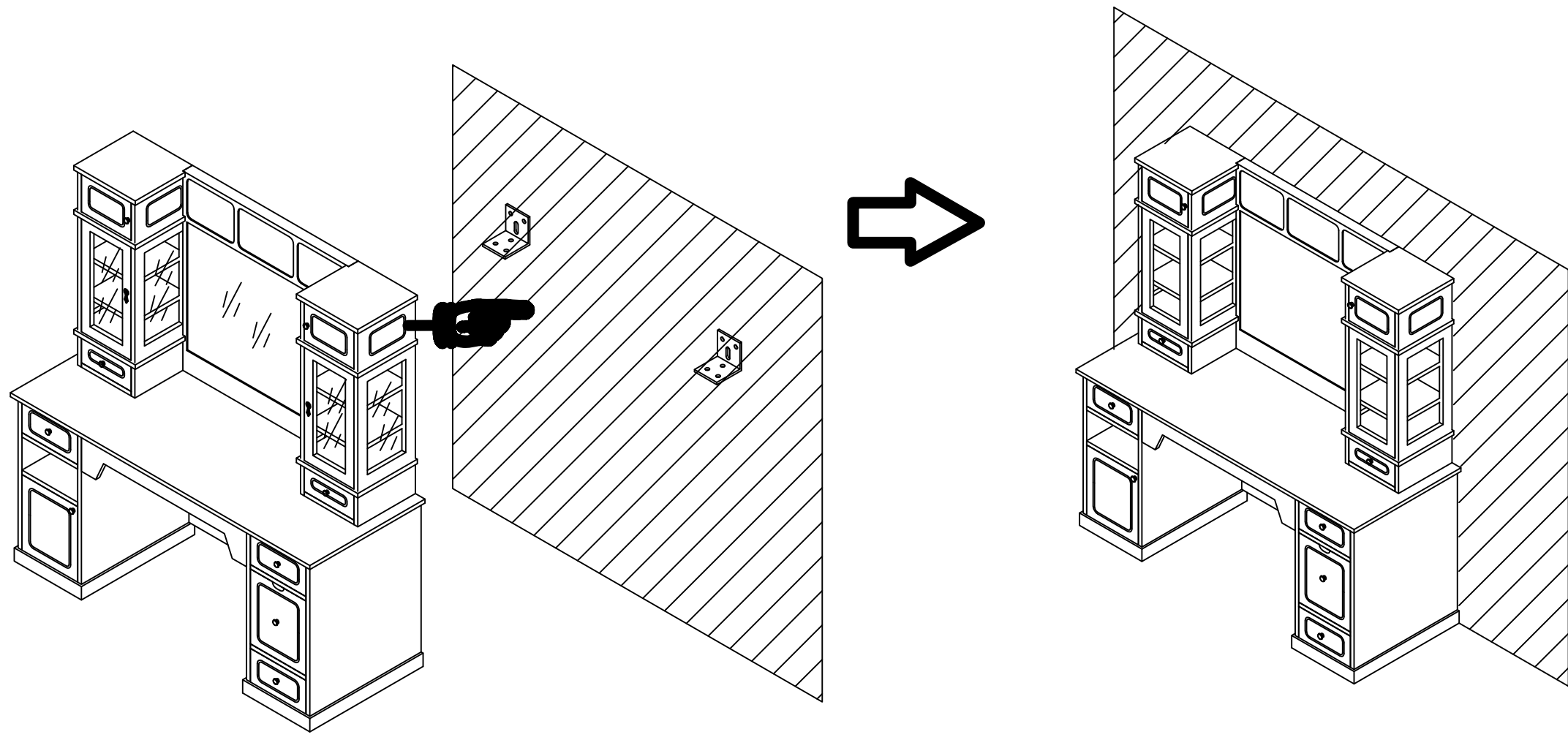
Step 6



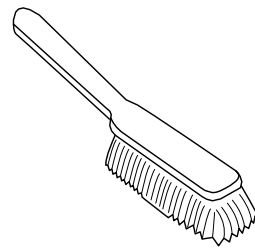
Step 7



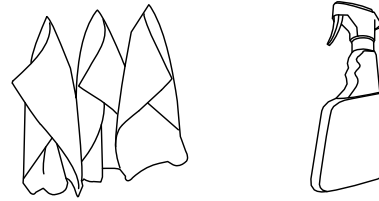
Step 8



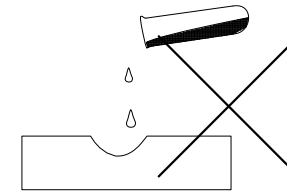
Product care



Brush away excess hair



Clean surface with damp cloth or simple soap & water solution.



Avoid using corrosive cleaning agents such as bleaches.

Warranty

The warranty period is one year. DIR warrants to you, the original buyer, that goods shall be free of defects in material and/or workmanship attributable to manufacture for one year from date of receipt of product. Damage resulting from improper handling after merchandise is received, or from exposure to weather or extreme atmospheric conditions is not covered by the warranty. For any other information please contact our support team:

DIR BIRMINGHAM

66 Rea Street South
Birmingham
B5 6LB
UK

Tel:
+44(0)121 6434777

Email:
dirsalon@gmail.com

DIR LONDON

Unit 1 River Road
Business Park
33 River Road, Barking
Greater London
IG11 0DA
UK

Tel:
+44(0)20 8591 9310

Email:
dirsalon@gmail.com

DIR NEW YORK

575 Underhill Blvd.
Suite 170
Syosset, NY 11791
USA

Tel:
+1 (718)628-6668
+1 (800)728-2008

Email:
sales@dirsalonfurniture.com