



Copyright 2010 by LENOX
Printed in USA

A detailed line drawing of a pedicure chair. The chair has a large, rounded backrest, a seat, and a foot bath. The foot bath is a large, rounded basin with a control panel on the side. The chair is shown from a three-quarter view, highlighting its ergonomic design.

USER MANUAL

LENOX LX

LENOX

335 CROOKED HILL RD.,
BRENTWOOD, NY 11717

1.631.243.3336
LENOXPEDICURECHAIR.COM

SERVICE & ORDER PARTS

1.631.243.5300
WWW.PEDISPAFIX.COM

TABLE OF CONTENTS

Safety Instruction	3
User Recommendation	6
Limited Warranty	7
Maintenance and Cleaning	9
Spa Information	
Specification	12
Identification	14
Dimension	15
Drain Instruction	16
Optional Discharge Pump	17
Motors	
Standard Motor	18
Optional Motor	19
Optional Auto-Fill	21
Chair Installation	22
Massage Mechanism	23
Remote Instructions	25
Troubleshooting	26
Back Flow Protection Device	27
Registration	28

LENOX., THE SOURCE FOR PEDICURE SPAS

WELCOME

Here at LENOX., We're committed to making OUR VALUES come alive in the work that we do and the products we create. That said, every LENOX Pedicure Spa makes a striking first impression - designed to be as functional as they are beautiful. It's important to note that our pedicure spa units must be installed, handled and cared for by licensed professionals, in whichever respective field. Whether it be plumbing, electrical, and/or beauty, the pedicure spa units should in no circumstance ever be handled by an unlicensed professional.

We sincerely thank you for your support.

WARNING!!

IMPORTANT USER INSTRUCTION & SAFETY NOTICE. KEEP SAFE!

- The maximum recommended weight of LENOX Pedicure Spas is 250 LBS.
- Keep all ELECTRICAL DEVICES away from the pedicure spa.
- Enter and exit the pedicure spa with caution.
- Do not stand in the pedicure basin
- The water temperature should never exceed 105 F (41 C)
- The supply water temperature should never exceed 140 F (60 C)
- Always refer to state or local code to verify maximum supply temperature.

This product in whole is in compliance with applicable UL LISTED standards and requirements for the U.S and Canada
By Underwriters Laboratories Inc.



Some of the components of this product are also in compliance with applicable safety standards of following:



IMPORTANT USER INSTRUCTION & SAFETY NOTICE. KEEP SAFE!

ELECTRICAL NOTICE

In order to ensure proper use, a separate **120v 60HZ 15amp(per dedicated outlet)** GFCI protected grounded circuit must be used to supply power to each pedicure spa. Failure to do so renders the Limited Warranty void.

****PEDICURE SPAS** outside the US must be in accordance with the respective country's rules and regulations. For example, if installed in Canada, the pedicure spa must be in accordance with the Canadian Electrical Code Part1.

GROUNDING AND GFCI NOTICE

STOP! PLEASE READ PRIOR TO INSTALLATION AND USE!

When using electrical products, basic precautions should be followed:

1. Risk of electrical shock. Connect the pedicure spa only to a circuit protected by a ground-fault circuit-interrupter.(GFCI)
2. Every ~~EMPRESS~~ Pedicure Spa must be installed by your local, licensed plumber and licensed electrician to install your new spa. Installation MUST be in compliance with all local and state building codes.
3. Your pedicure spa cannot operate efficiently or safely unless it is provided with adequate electrical power, sufficient water pressure, proper water temperature, and required drainage capabilities.
4. Contact your local building inspector for information and local code compliance procedure that need to be followed when having your new pedicure spa installed.
5. Subsequent inspections and approvals that may be required are the responsibility of the purchaser.

Shipment Inspection

Examine the components immediately upon arrival to make sure no damages to the pedicure spa base and chair during the shipment. It is very important that you notify the driver directly and notation should be on the face of the freight bill or bill of lading of any damage. Failure to note damage on the bill of lading may prevent any claims you may have against the carrier.

If concealed or damage is found, you MUST notify the carrier at once and request an inspection. **DO NOT DISCARD THE SHIPPING CARTON** If receiver sign the carrier clean receipt of goods that have been damaged in transit .Do so at your own risk and expense.

STOP! PLEASE READ PRIOR TO INSTALLATION AND USE!

TO REDUCE THE RISK OF BURNS, ELECTRIC SHOCK, FIRE OR INJURY:

1. Only authorized operators are permitted to use the pedicure spa.
2. If the pedicure spa has a damaged cord or plug, do not use.
3. Keep all electrical cords away from heated surfaces.
4. Do not operate outdoors.
5. You are responsible to ensure that all plumbing connections meet national, state and local code.
6. Shut-off valves ~~are strongly recommended.~~ (Utility Valves)
7. The water temperature should be adjusted accordingly. Check and

Important Installation Considerations

Electrical Service

110V, 60Hz, 15Amp GFCI protected grounded circuit MUST be used to supply power each individual pedicure spa. And the main circuit breaker MUST be at 25Amp. For maximum of two units per each electrical outlet.

Water Supply

All plumbing connections must conform to local, state, federal codes. Water supply to the spa should be provided with adequate water pressure and water temperature.

Water Pressure

To fill the basin correctly up to level, Normal water pressure of 30 to 80 P.S.I is required.

Water temperature

The hot water supply temperature must not exceed 140 . Adjust your hot water accordingly. For hot and cold water supply fittings and drain fittings location, see drain diagram .Carefully connect the water supply line to the appropriate fittings located on the rear of the pedicure spa.

Pressure / Temperature

Maximum Pressure: 150 psi (10 bars)

Minimum Pressure: 10 psi (69kPa)

Working Temperature: 33F to 140F constant; intermittent to 180f (0.6C to 60C sustained; intermittent to 82.2C)

Recommended Flow: 1.5gpm .

UL LISTED / CE CERTIFIED

Compliance with following Code (s): Uniform Plumbing Code, National Plumbing Code of Canada and international Plumbing Code. Also, Compliance with following Standard (s): ASME A112.18.3M / A112.18.1M, CSA B125, NSF /ANSI 61/372

All ~~EMPRESS~~ USA products has been investigated for compliance with the requirements for water retention for Whirlpool bathtub appliances contained in ASME / ANSI A122.19.7M(1995), CSA C22.2 No. 68-69

ANSI - American National Institute, ASME - American Society of Mechanical Engineers, CSA - Canadian Standard Association IAPMO - International Association of Plumbing and Mechanical Officials, UL - Underwriters Laboratory

**** Back flow Protection Device**

Due to Town and / or State requirement/s are varies in building code, if the Town and / or State requires specific Vacuum Breaker, As the Plumber MUST provide Vacuum Breaker according to building code

Drain Facilities

The pedicure spa Drain must meet local plumbing codes. **Check valve for Drain (not Provided) Must be installed by a licensed plumber.** Also Pedicure spa must be securely fasten to the floor.

Installation Summary

A licensed plumber / Electrician MUST install the Pedicure Spa conform and comply with local,State and Federal building code. where applicable.

Note: Failure to comply with federal, state, or local codes and ordinances will result in warranty being nullified and void.

Please print this page for your review and reminder.

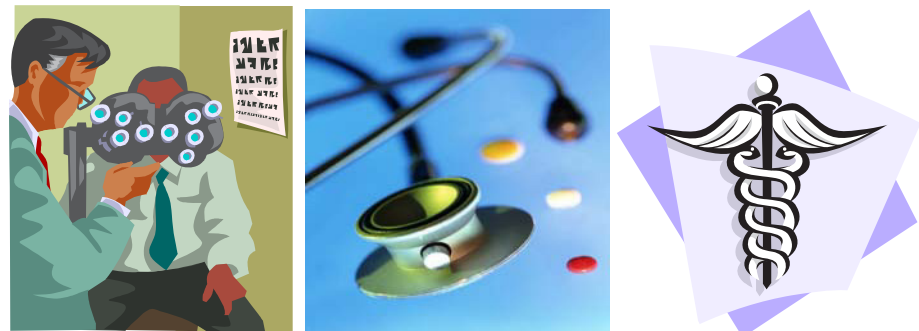
User Recommendation

PLEASE READ THE MANUAL THOROUGHLY BEFORE USE TO ENSURE CORRECT OPERATION.

THOSE UNDER A DOCTOR CARE OR WHO ARE EXPERIENCING ONE OR MORE OF THE FOLLOWING CONDITION SHOULD CONSULT THEIR DOCTOR BEFORE USE.

- You are receiving medical treatment or are feeling ill.
- Your body shows any cute symptoms.
- You have heart disease.
- You are pregnant or having a menstrual period.
- Your doctor has ordered you to rest.
- You have a back disorder resulting from an accident or disease
- You have high fever.
- You have sensory disorders.
- You have medical electrical device (e.g. pacemaker).
- You have service interruption in the circulation of the legs.
- You have an open wound.
- You are diabetic.

FAILURE TO DO SO MAY RESULT IN ACCIDENTS AND HEALTH PROBLEMS.



LENOX PEDICURE SPAS Limited Warranty (1/2)

IMPORTANT

To validate the limited warranty, The Limited Warranty Registration Form MUST be filled out completely and return to LENOX within 30 days of original purchased date. This Limited Warranty is valid if LENOX received registration form.

LENOX. Pedicure Spas has designed and manufactured with the highest standards and expressly warrant the pedicure spa as follows:

To the original owner of the LENOX. Pedicure Spa may repair or replace, at its option, any pedicure spa found to be defective in material or workmanship upon inspection by a authorized representative of LENOX. This limited warranty covers the following:

Base - Twenty four (24) month from date of shipment from LENOX facility.

Components / Parts - Twenty four (24) month from date of shipment from LENOX facility.

Stool - Ninety (90) days from date of shipment from LENOX facility.

Shipping Costs - Twenty four (24) month from date of shipment. LENOX will cover normal shipping costs associated with replacement parts. Expedited shipping cost will incur an additional charge.

Labor - Twelve (12) month from date of shipping, LENOX will cover reasonable labor costs associated with the installation of replacement parts found to be defective in material or workmanship upon inspection by authorized representative of LENOX.

No labor cost or replacement parts will be covered under this limited warranty if at the sole discretion of LENOX. It is determined a failure was caused by negligence, accident or improper use, improper installation or lack of proper maintenance as in the Owner's Manual.

NO CONSEQUENTIAL, INCIDENTAL, CONTINGENT, INDIRECT, SPECIAL OR OTHER DAMAGES WILL BE ALLOWED.

This warranty is null and void if the pedicure spa is removed from its original installation or is not installed accordance with specifications of pedicure spa or national, state or local codes, regulation and ordinances. Furthermore, this limited warranty is null and void if the pedicure spa is subjected to improper installation or maintenance, negligence, improper cleaning or any other circumstance beyond J&A's control. To validate limited warranty, pedicure spa must be installed by a licensed plumber and/or electrician in accordance with local and / or State code and pedicure spa installation instructions.

Warranty Exclusion

- 1- Unauthorized repairs and/or modification or tampered in any way.
- 2- Damage due to freight, accident, natural disaster and /or abuse or misuse
- 3- Stain, fading or discoloration of seat, back cover, armrests (Upholsteries), Tray or Footrest
- 4- Fading, discoloration or staining of basin or Any portion of surface of pedicure spa caused by water additive or improper Water treatment (such calcium built up) and/or cleaning agents/s
- 5- Damage or malfunction due to improper installation including but not limited to, failure to comply with all national, state and local plumbing, electrical and building codes.
- 6- Magnetic jet assembly (base, impeller and cover) due to LENOX provided an extra jet assembly to accommodates wear-tear.
- 7- Damage drain pump due to residue built up in drain pipe and / or due to the lack of maintenance.

LENOX PEDICURE SPAS Limited Warranty (2/2)

Parts for which labor / Service is **NOT COVERED** - Following components are simple to replace and DO NOT require a service technician. Therefore, though the part is covered under the guidelines of the warranty agreement.

- 1- Panel
- 2- Jet cover, impeller and / or jet assembly
- 3- Faucet Cartridge, Shower Head
- 4- Footrest
- 5- Air actuate On/Off Button
- 6- Drain Plug
- 7- Remote control

During the Limited Warranty period, LENOX will, at its sole discretion, repair or replace any defective component. All component parts removed under this Limited Warranty become property of LENOX. And all replacement component/s MUST be return to LENOX. Within 20 days of replacement. If not, replaced component/s will be charge as its cost/s.

This limited warranty is for the original owner and not transferable. The original owner agrees by using pedicure spa the obligation of LENOX shall not extend to indirect or contingent damage or injury. Furthermore, the obligations of LENOX are limited to those set forth herein. The limited warranty is the exclusive remedy and is in lieu of all other warranties, express or limited, including but not limited to, any implied warranty of fitness or merchantability for a particular purpose. No distributor or other person has the right or authority to bind LENOX to changes to this limited warranty. Consequently, LENOX is not responsible for such warranties or representations.

Limitation of liability

TO THE EXTENT ALLOWED BY LOCAL LAW, EXCEPT FOR THE OBLIGATIONS SPECIFICALLY SET FORTH IN THIS WARRANTY STATEMENT, IN NO EVENT WILL LENOX OR ITS THIRD PARTY SUPPLIERS BE LIABLE FOR ANY DAMAGED CAUSED BY LENOX'S PEDICURE SPA OR THE FAILURE OF LENOXPEDICURE SPA INCLUDING ANY LOST PROFIT OR SAVINGS, BUSINESS INTERRUPTION, LOSS OF USE OR ANY OTHER COMMERCIAL OR ECONOMIC LOSS OF ANY KIND, OR SPECIAL, INCREMENTAL, OR CONSEQUENTIAL DAMAGES. THIS LIMITATION OF LIABILITY APPLIES WHETHER DAMAGES ARE SOUGHT, OR A CLAIM MADE, UNDER THIS LIMITED WARRANTY OR AS A TORT CLAIM, A CONTRACT CLAIM OR ANY OTHER CLAIM.

USER MAINTENANCE INSTRUCTIONS CLEANING AND DISINFECTING YOUR PEDICURE SPA

Note: Please be advised that it is responsibility of purchaser/user to adhere strictly to the following procedure. Any non-compliance will be considered negligence of the purchaser/user.

The Bureau of barbering and cosmetology requires that salons using whirlpool pedicure spas use the following disinfecting Procedures to ensure proper cleaning and maintenance of the equipment, and to prevent bacterial infection. For your clients safety, always use the regulations as a minimum standard for cleaning and disinfecting.

Chair maintenance: Please see chair manual for Do and Don't

A SPECIAL NOTE PERTAINING TO BLEACH

While bleach seems to be used extensively for cleaning and disinfecting of pedicure chair basins, it is NOT recommended nor is it effective. Moreover, excessive use of bleach may greatly reduce the longevity of your pedicure chair internal components (i.e. pumps, jet waste assembly, etc.). Excessive and repeated use of bleach may also void your warranty. As always, you are required to check with your state board for mandatory cleaning and disinfecting requirements and procedures.

At the end of the day:

1. Remove the intake suction screen, All debris trapped behind the screen of each pedicure spa must be removed. And the screen and the inlet shall be washed with soap or detergent and water
2. Before replacing the screen, Totally immersed the screen into an EPA- registered disinfectant with bactericidal, Fungicidal, and virucidal activity.
3. Finally, flush the whirlpool system with low-sudsing detergent and warm OR an EPA - registered cleanser for 10 minutes. Rinse with clean fresh water and drain.

Note:

Cleaning or sanitizing is NOT disinfecting. According to the CDC and EPA, disinfecting occurs only when there is a reduction of pathogenic microbes at 99.999%. Sanitizing is a only reduction of 99.9%. Cleaning of whirlpool pedicure spa requires surfactant and chelating detergents that are low foaming and have ability to remove body oils, organic oil additives, mineral oil, skin cell, nail clippings, etc.. That can accumulate both in the basin and the jets which may become fertile area for micro organism to grow.

Note:

The use of oil based products can build up in the whirlpool system causing clogging in the jet and build up onto the surface of the basin. Adherence to the above cleaning will minimize build up thus the manufacturer recommend not to use mineral oil based product.

Maintenance and Cleaning of PU Synthetic Leather

PU synthetic leather is made from polyurethane resin after coating, drying and curing. Compared with the genuine leather, PU synthetic leather is more resistant to acid, alkali, heat and sunshine. However, because of its own physical and chemical properties, it should not be put at the place where there is dust, high temperature, high humidity, low temperature or strong sunshine and the environment containing acid and alkali agent and solution. Otherwise, it will be easily cracked, quickly aging and hydrolyzed.

Cleaning methods of PU synthetic leather and precautions:

1. Organic agent, grease solution and compounds, especially the strong solvent, e.g. alcohol, turpentine, thinner can not be used for cleaning the PU surface and otherwise the PU surface will be easily corrosive.
2. Fresh water or washing powder can not be used for cleaning the PU surface or there will be cracks.
3. Environment-friendly detergent which is containing no abradant and with a PH value of 5-7 should be used for cleaning the PU surface.
4. For the quite dirty PU surface, use a soft cloth with egg white to wipe the dirt, brush should not be used for cleaning the surface.
5. The more popular detergents in the market are: Meipingwang leather detergent and protective agent; Amway leather detergent, etc.
6. For the best result for maintaining your PU synthetic leather please inquire **Empress** for **Spa Leather Cleaner**. *Lenox*
7. Fabric inside liner and fabric padding MUST be check quarterly for the best result. In case of warn out please contact service department for replacement.(Worn and tear is not covered under warranty)

Maintenance methods of PU synthetic leather and precautions:

1. Good room ventilation should be ensured because too dry or too wet environment will fasten the aging of leather.
2. ~~leather sofa~~ should avoid direct exposure to sunshine or air-conditioner wind; otherwise the leather surface will become hard. Direct exposure to sunshine will make the leather with color faded.
3. There is more sweat on body during the summer the hole of the leather will absorb the sweat. The organic matter in the sweat and the leather will have a chemical reaction during high temperature and wet environment, and there will be peculiar smell. For this, wettish soft cloth should be used for wiping frequently.
4. While wiping the **sofa**, the alkali cleaner should not be used because there is acid treatment during leather making and the alkali will decrease the pliability of the leather and there will be crack if the alkali cleaner is used for wiping the sofa. *bold and capital*

Glass Bowl Care and Cleaning

Care and Cleaning

Clean the surface of your JSG Oceana glass product with mild soap and warm water. Wipe the entire surface completely dry with a clean, soft cloth.

MANUFACTURER'S RECOMMENDED DRAIN INSTALLATION

Drain installation requirements will vary by supplier basin and unit. Manufacturer's drain installation instructions suggest to apply plumber's putty under rim of drain and hand-tighten drain only. DO NOT OVER - TIGHTEN.

EXCLUSIVE WRITTEN WARRANTY

LIMITED ONE - YEAR WARRANTY

JSG Oceana Glass products are warranted free of manufacturing defects. JSG Oceana LLC will, at its election, repair, replace, or make appropriate adjustment where JSG Oceana LLC inspection discloses any such defects occurring in normal usage within one year after installation. JSG Oceana is not responsible for installation or removal costs. Proof of purchase requires the original sales receipt from the original consumer purchaser and must accompany all warranty claims.

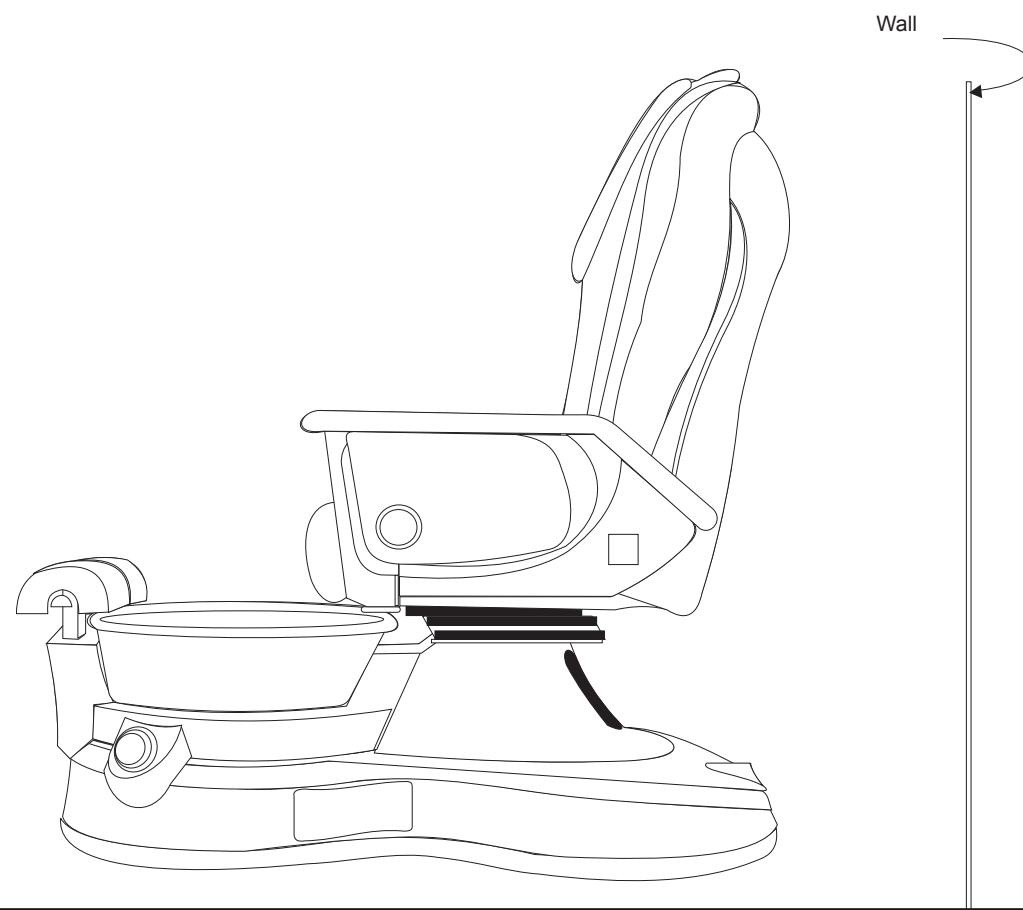
Implied warranties, including that of merchantability or fitness for a particular purpose, are expressly limited in duration to the duration of this warranty. JSG Oceana LLC disclaims any liability for special, incidental or consequential damages.

**Some States do not allow limitation on how long an implied warranty lasts or the exclusion or limitation or special, incidentals, or consequential damages, so these limitations and exclusions may not apply to you. This warranty gives you specific rights. You may also have other rights which vary state to state.

This limited warranty provides specific legal rights as they apply within U.S.A, and other rights may be available, but may vary fro country to country.

Crystalline material and air bubbles are a unique characteristic of art glass. They are an inherent part of the glass making process and are not detrimental to the mechanical strength or function of the glass basins. Each piece of JSG Oceana is individually inspected for durability and superior performance.

Lenox LX: Specification



Dimension & Weight (Shipping)	Lenox Pedicure Spa Stool	37"W x 67"L x 40"H 27.25"W x 20.25"L x 17"H	285 lbs 20lbs
Capacity of Tub		5 US Gallon	
Switch		On/Off Air Activated Switch	
Power Source	Dedicated 15Amp GFCI Protected Ground Outlet Magna-Jet Pipeless Massage System	115Vac. 3.2 Amp, 60Hz. 120Vac. 3.12 Amp, 60Hz. 75W	
Plumbing	Hot Water Cold Water Drain	0.5inches (Fitting Provided) 0.5inches (Fitting Provided) 1.5inches (See Plumbing Instruction)	
Warranty		See detail in warranty page.	

** All LENOX products are equipped with Back Flow Prevention Device Dual Check Valve

**Due to continuous improvement on all our products, followings are subject to change without notice: specification, characteristics, packing, information, color and design

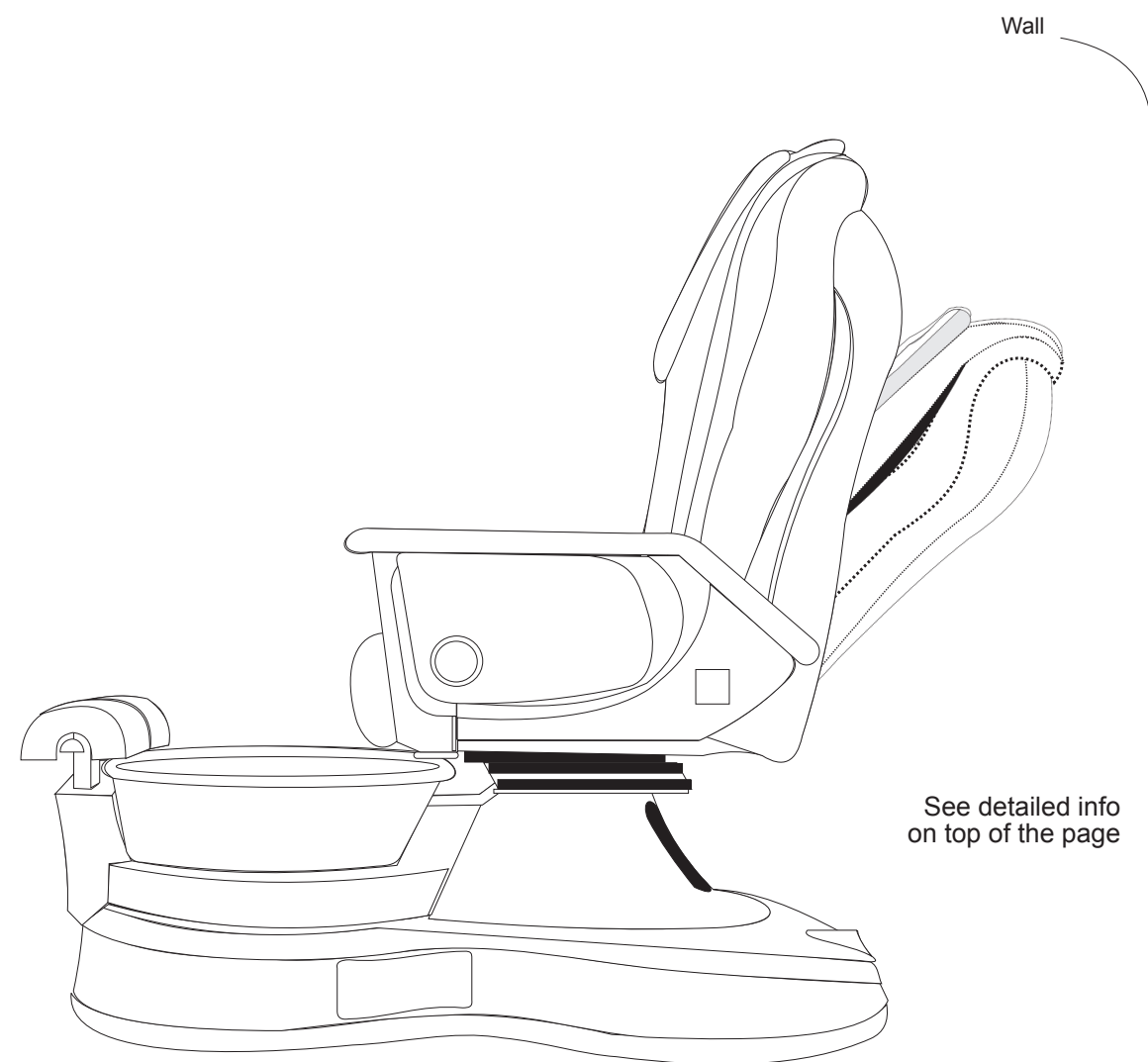
Installation Specifications Summary

WARNING: Failure to comply with federal, state or local codes and ordinances will result in warranty being null and void.

As stated, the pedicure spa installation must comply with all **plumbing and electrical codes**. A **licensed plumber and licensed electrician MUST** complete the applicable connections of the pedicure spa.

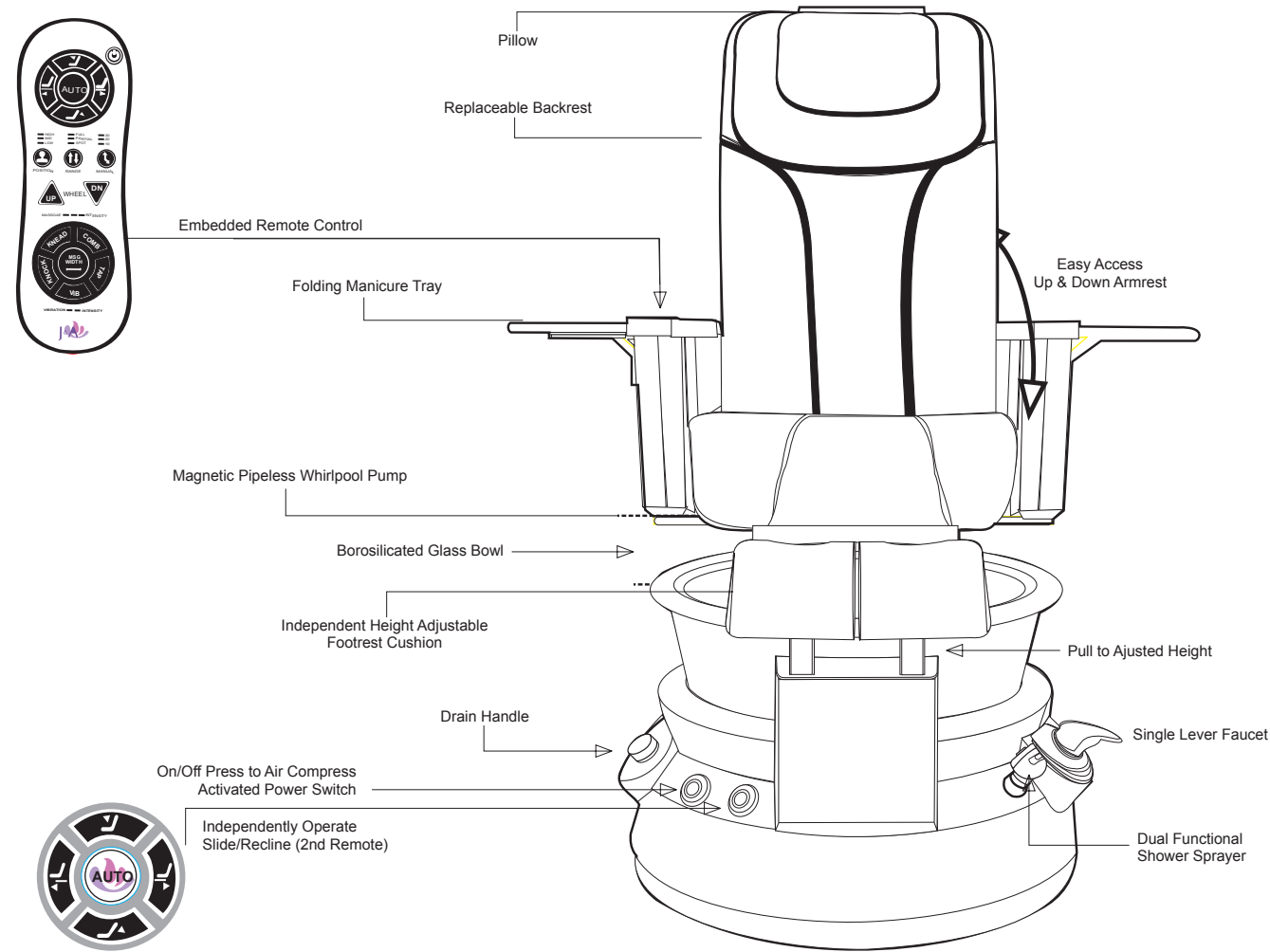
Location and support: Select a level location. The floor structure beneath the pedicure spa must be capable of supporting the occupied pedicure spa. For the seat back to fully recline, the pedicure spa base must be mounted as follow from the wall as shown below:

**When chair slide all the way back - would require 14 inches from the wall

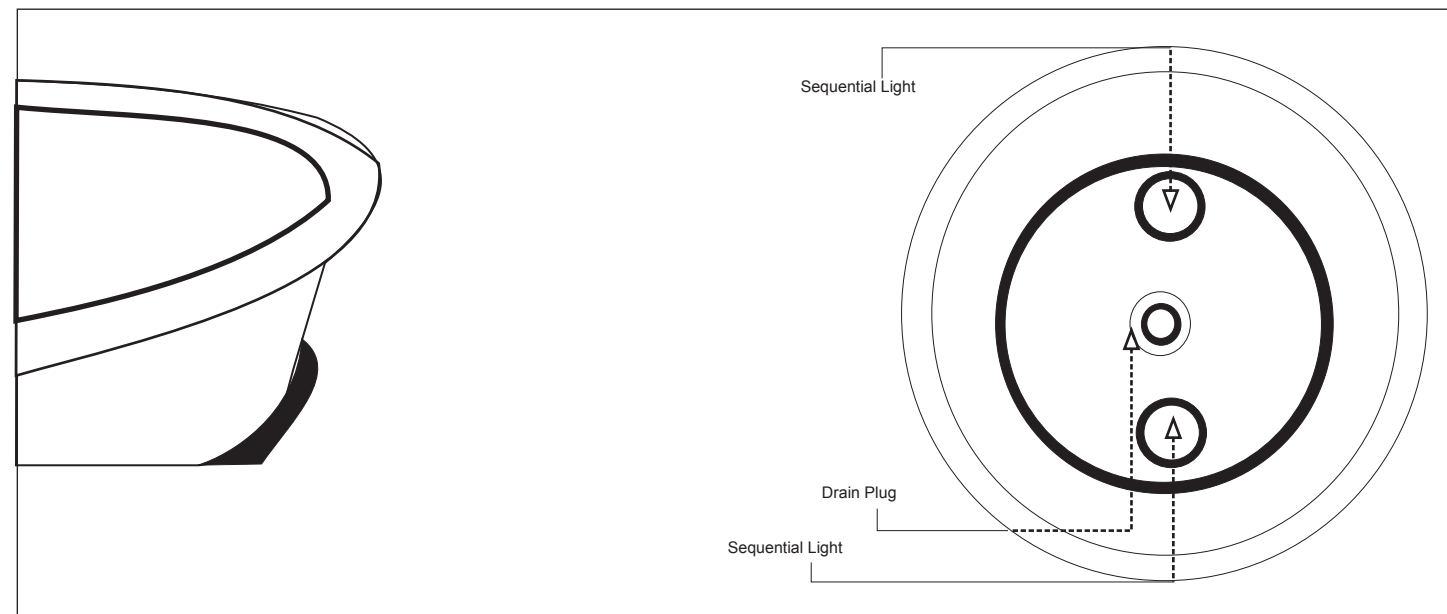


****Due to continuous improvements on all our products, specification, characteristics, packing, color, designs are subject to change without notice.**

Lenox LX: Identification

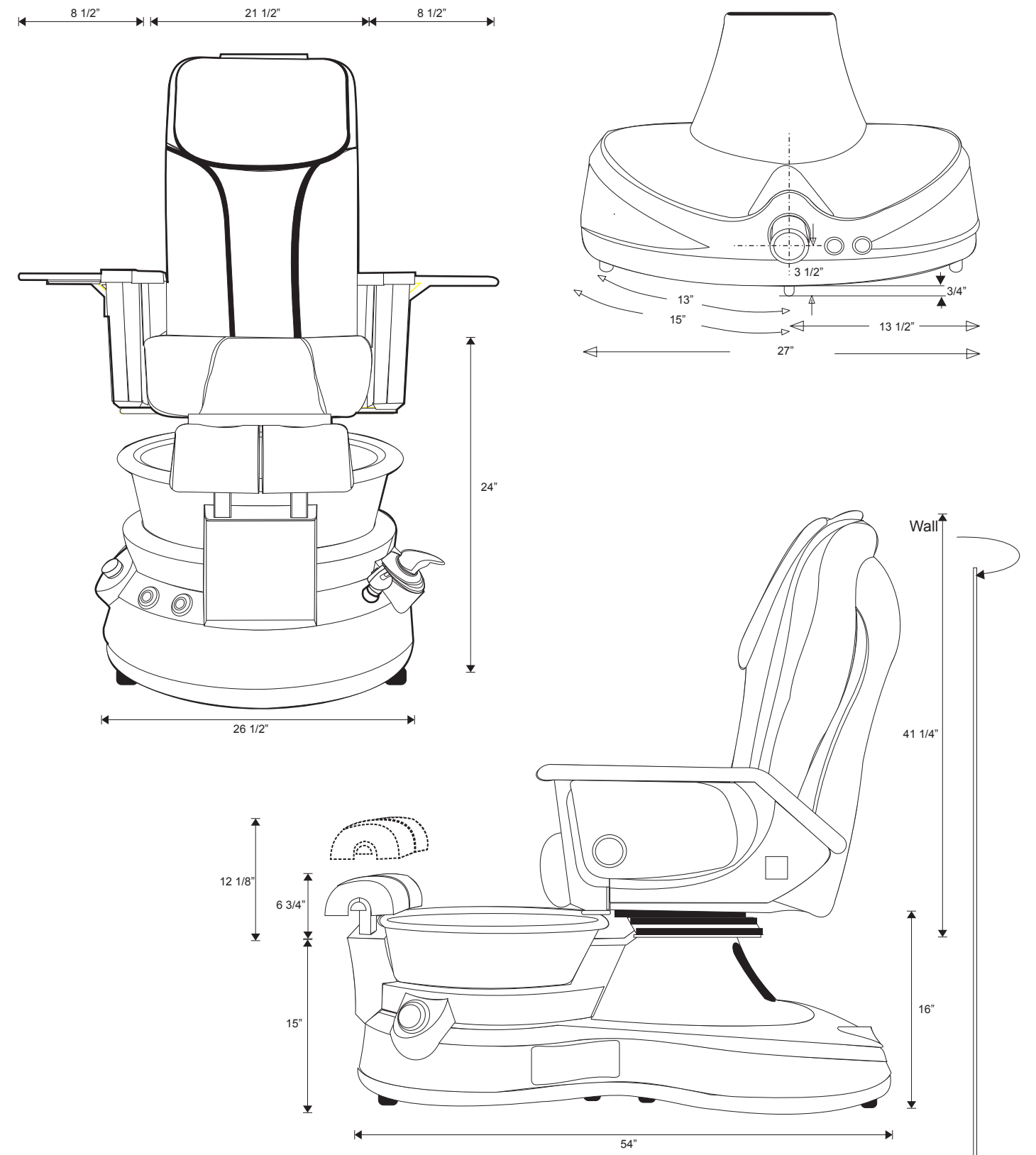


BASIN



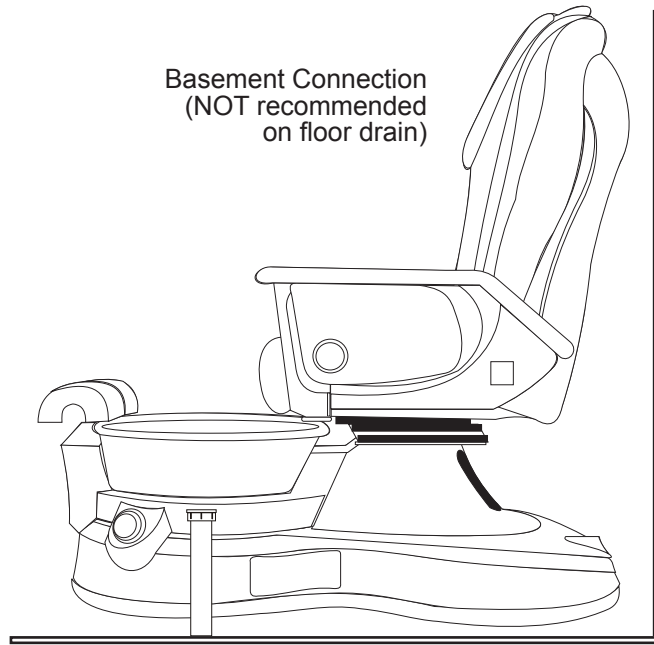
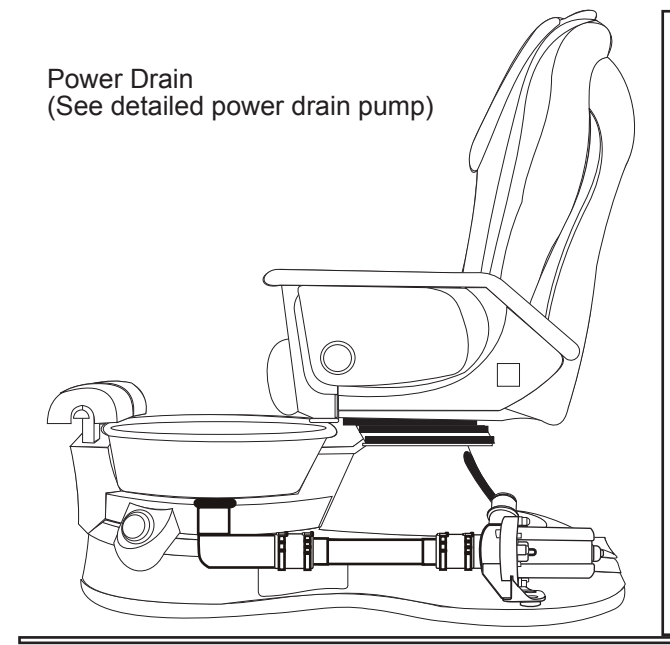
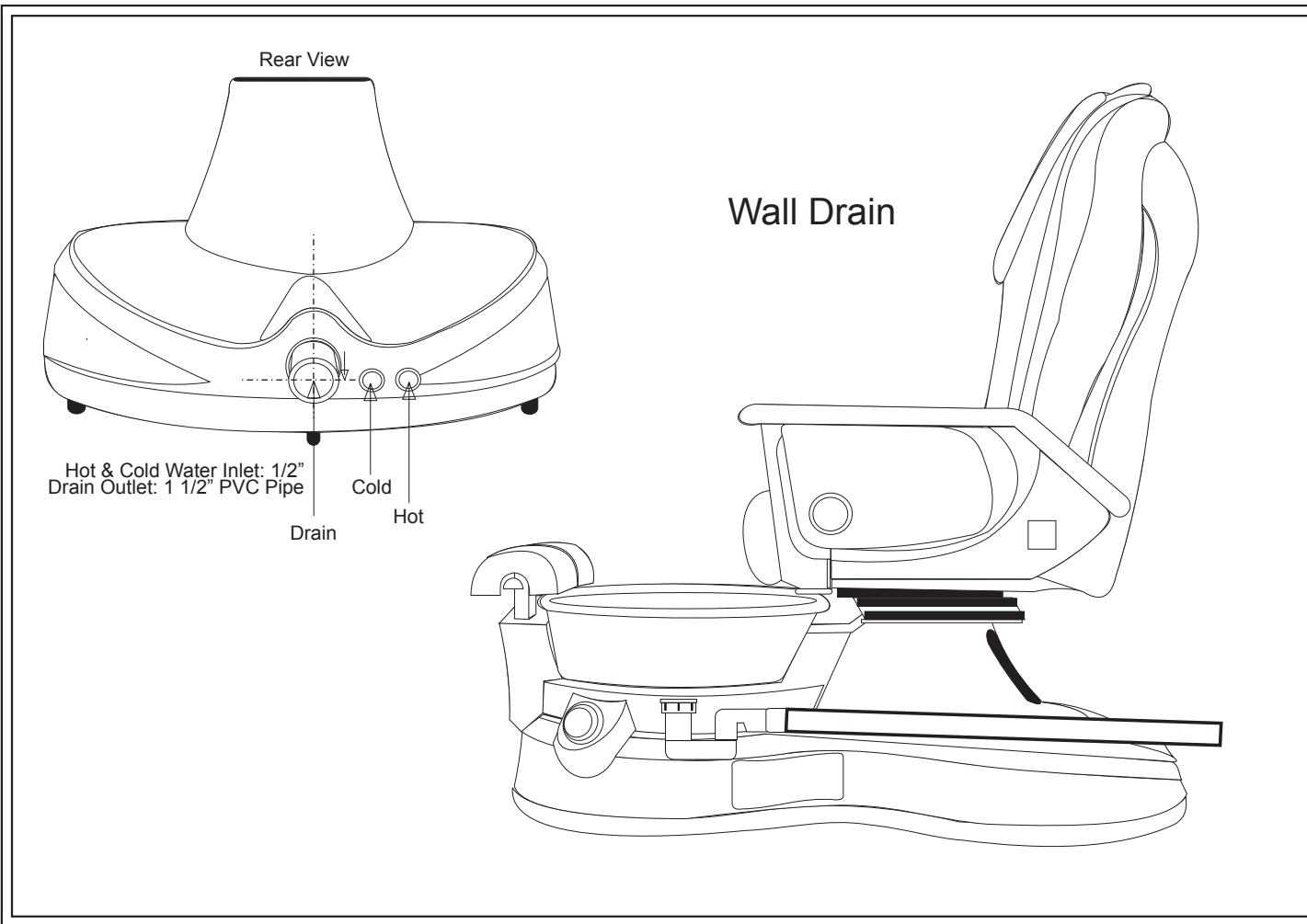
****Due to continuous improvements on all our products, specification, characteristics, packing, color, designs are subject to change without notice.**

Lenox LX: Dimensions



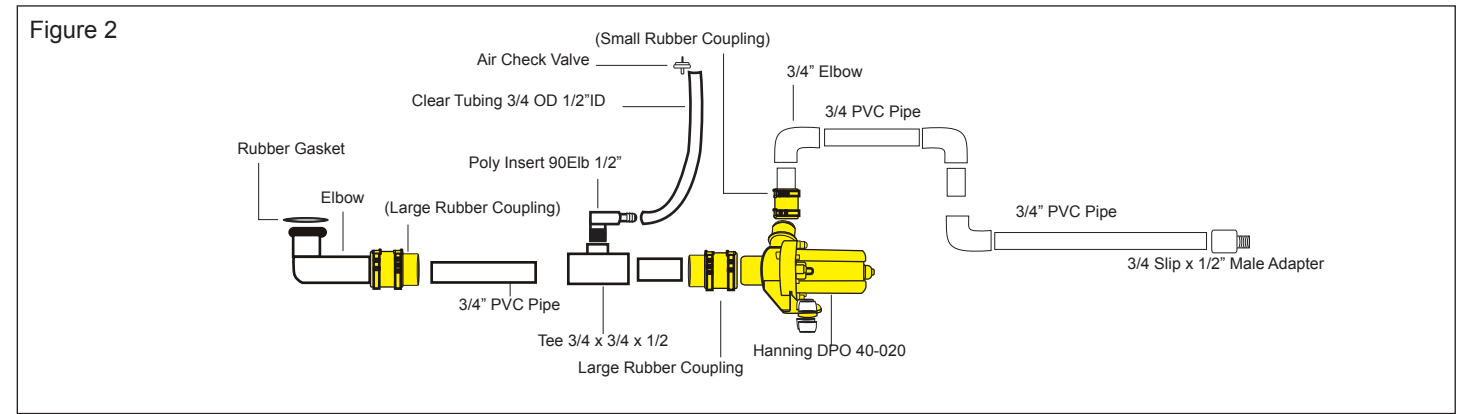
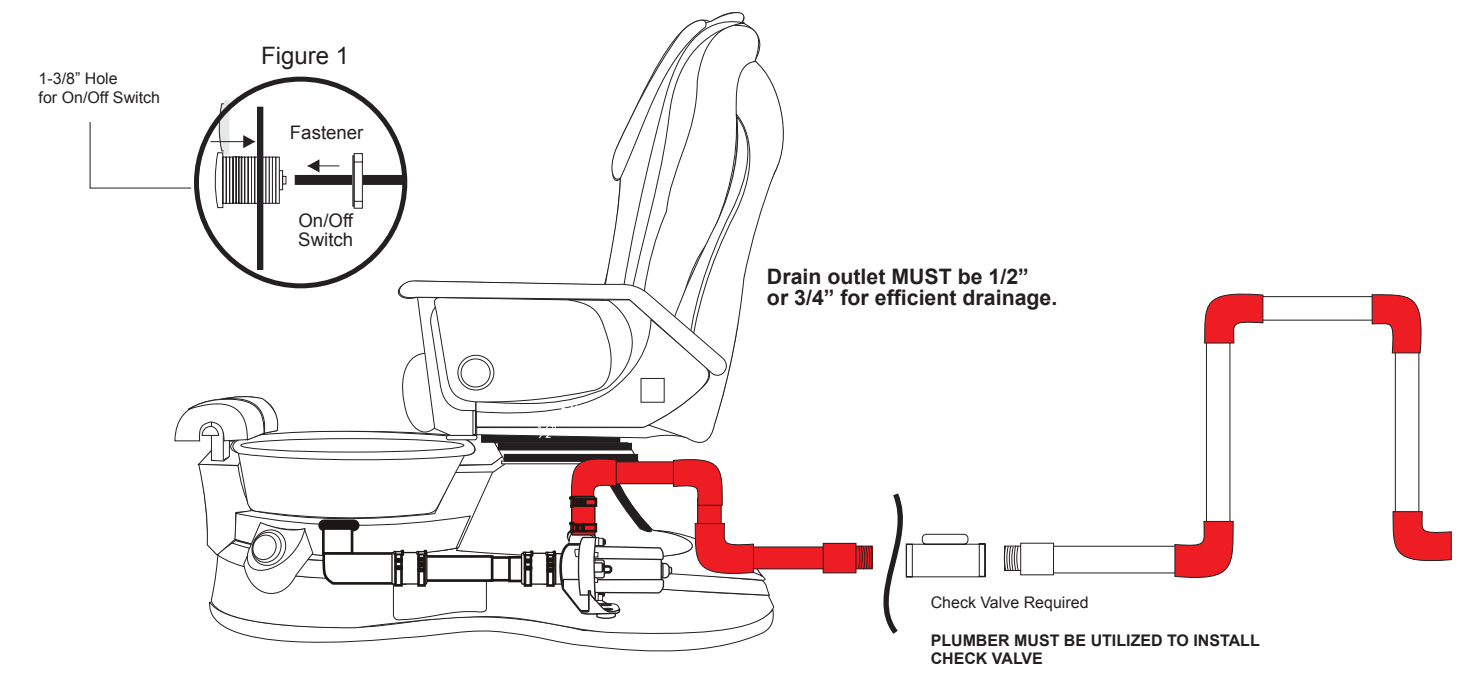
LENOX.	/Side	LENOX LX	LENOX.
Manufactured by:		Model & Dimension:	Prepared by:

Lenox LX: Drain



Lenox LX: Discharge Pump (Optional)

Up to 4ft @ +/- 39 sec. with 1/2" Connection to main drain



Installation Instruction:

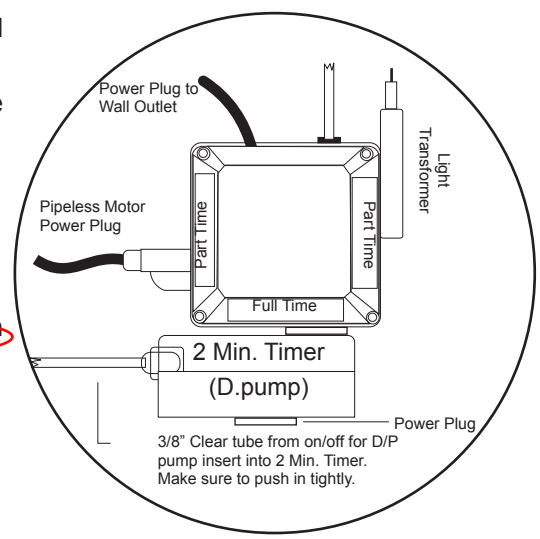
1. Make a hole (size 1-3/8") for the On/Off switch as shown (see fig 1). Pre-drill required.
2. Placed a 1/8" clear hose into the rear of the switch and on/off switch into the hole.
3. The discharge pump kit is made to fit onto the pedicure unit. (See fig 2)
4. Connect E-Z connector onto the drain elbow.
5. Plug discharge pump outlet into the two minute timer outlet
6. Plug two minute timer into the wall outlet.

7. It is very important that tip of the clear tub remain above the water Level with one loop as shown. **Air breather (check Valve) Must be above the water level.**

Operation Instruction:

Warning ! DO NOT RUN DRY

1. Turn to open drain plug. 3 to 5 second for air to release from the pipe
2. Press On/Off switch to activate timer.
3. At any time, water drain completely from the basin. Press On/Off switch to stop or built in two minute timer.

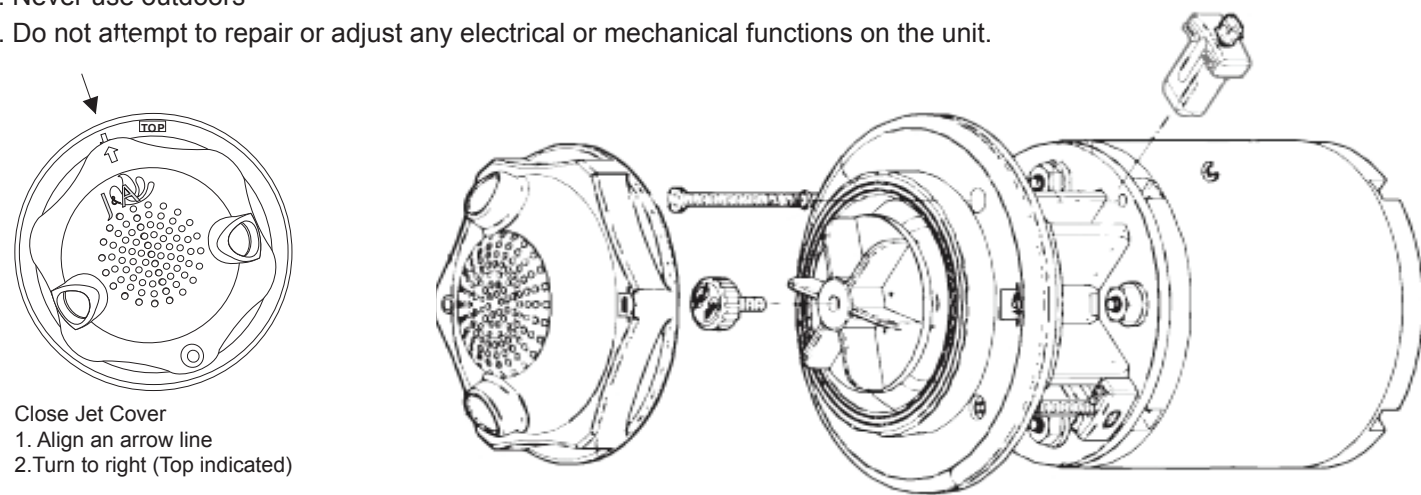


Ultra Jet Whirlpool Motor

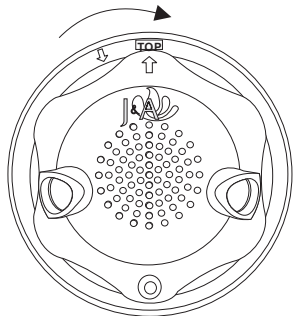
Safety Instructions:

When using electrical equipment, basic safety precautions should always be followed to reduce the risk of fire, electrical shock, and injury to persons, including the following:

1. Read and follow all instructions before using the equipment.
2. Keep the cord out of heavy traffic area. To avoid fire hazard NEVER put the cord under the rugs, near heat generating devices.
3. Always turn off the equipment before servicing.
4. Do not drop or insert any object into any openings.
5. Do not operate any equipment with a damage parts.
6. Any other use not recommended by the manufacturer may electrical shock or injury to persons.
7. Never use outdoors
8. Do not attempt to repair or adjust any electrical or mechanical functions on the unit.



Close Jet Cover
1. Align an arrow line
2. Turn to right (Top indicated)



Features:

1. Dual powerful massage jet-streams
2. Jet assembly can be attached from the pump for quick cleaning and sanitizing.
3. Thermally Protected
4. AC motor (long life)
5. Extremely low power consumption .

Cleaning Instruction:

1. Turn the unit off and wait until the motor is fully stops.
2. Remove the front jet cover and notice the locking screw in the center
3. Remove the locking center screw (Indicated an Arrow) and pull out impeller from housing.
4. Use Anti-Bacterial solution (EPA Registered) to clean all part/s.
5. After sanitization, place impeller onto the motor shaft and fasten with center locking screw (Opposite arrow)

Ultra Pipeless Jet Whirlpool Motor Specifications:

Model: CS-0216A-MT

Rating: 120VAC / 60Hz, 0.4A - thermally Protected

Pump: Dual whirlpool Jet Flow

Mounting: Single 3.5" hole Diameter

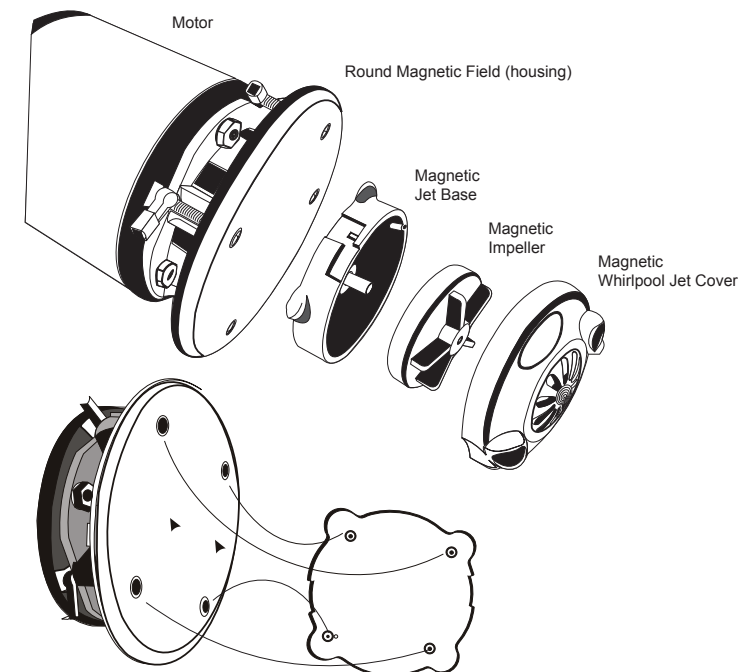
Auto tighten Mounting screws(4)

Magna-Jet (Optional)

Safety Instructions:

When using electrical equipment, Basic safety precautions must be followed to reduce the risk of fire, electrical shock, and injury to Persons.

1. Read and follow all instructions before using the equipment.
2. Keep electrical cord out of heavy traffic area. To avoid fire hazard NEVER place electrical cord under the rug, near heat Generating devices.
3. Always turn power off the equipment before service.
4. Do not drop or insert any object into any openings.
5. Do not operate any equipment with damaged parts.
6. Any other use not recommended by the manufacturer may cause electrical shock or cause injury to person/s.
7. Never use it outdoors
8. Do not attempt to repair or adjust any electrical or mechanical.



MAGNA JET Features:

1. Hydro dual massage jet stream
2. Magnetic whirlpool jet cover can be remove for quick cleaning and sanitizing.
3. Built-In electronic sensor for pump control.
4. AC Whirlpool motor (long life)
5. Very low power consumption (27W)
6. Manufactured in USA.

Cleaning Instruction:

1. Turn off the unit and wait until the motor is fully stops.
2. Hold hydro whirlpool jet cover firmly and pull to separate from the round magnetic field.
3. Turn hydro whirlpool jet cover to left to open and pull out impeller.
4. Use Anti - Bacterial solution (EPA Registered) to clean all parts.
5. After sanitize all parts, place impeller and close hydro whirlpool jet cover to turn right to lock
6. Hold firmly the whirlpool cover jet and gently place it onto the round magnetic field. Do not release the hydro whirlpool jet cover until jet cover is on the round magnetic housing.

MAGNA-JET Specifications:

Model:MAGNA-JET-120 VAC, 60HZ, 1.0Amp

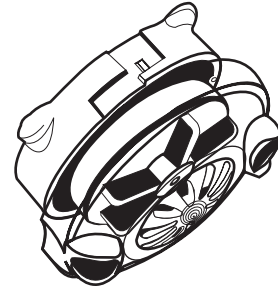
Pump: Hydro-Massage Dual Air Jet Flow

Mounting: Single 3.5" Hole Diameter Auto Tighten Mounting Screws(4)

How to USE Magnetic Jet!

WARNING: DO NOT RUN DRY, BASIN MUST FILLED WITH WATER TO LEVEL INDICATOR.

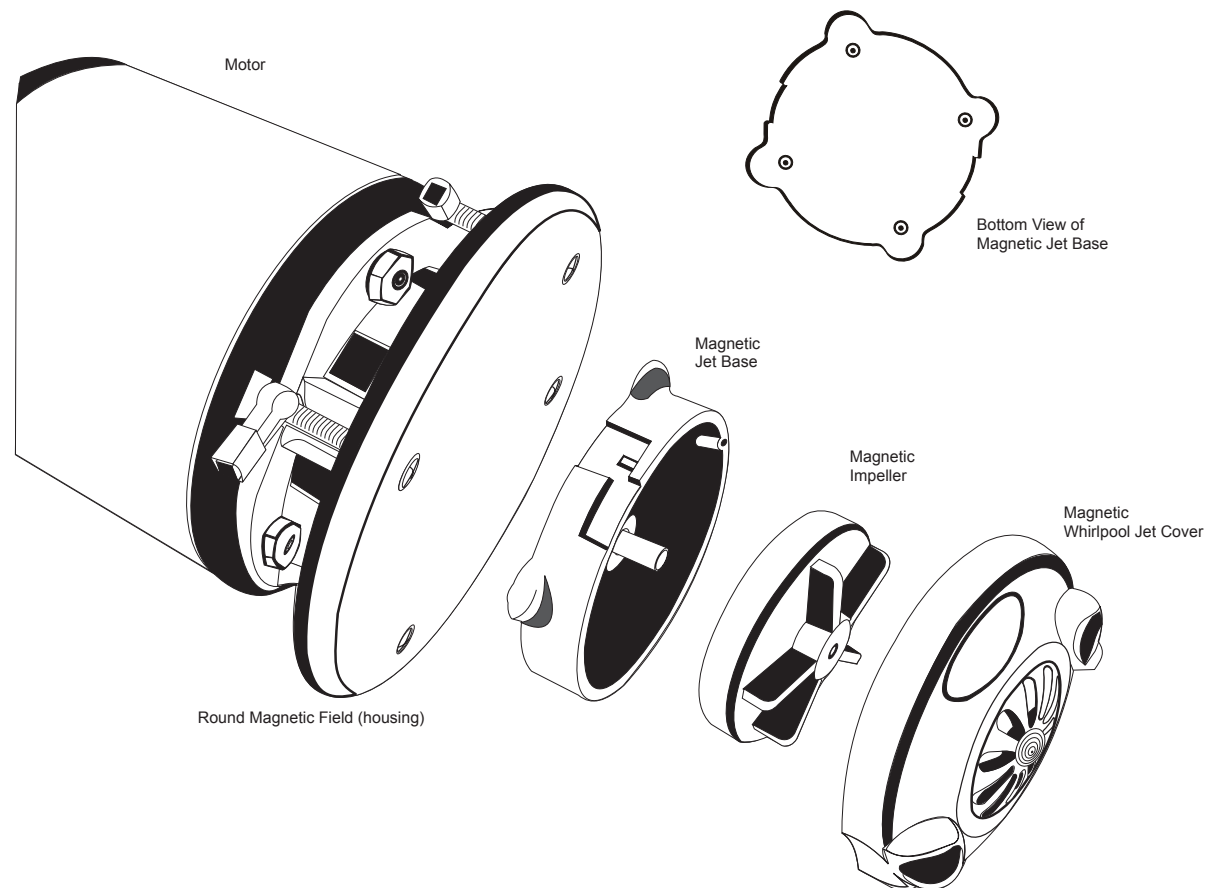
CAUTION: MAGNETIC JET COVER ASSEMBLY MUST ALIGN WITH DISCHARGE PORT POSITIONED AT 3/9 O'CLOCK.



When Ready to use, **MAKE** sure jet cover is positioned at 3/9 O'clock for proper whirlpool action in the basin. If jet cover is not align at 3/9 O'clock, water will splash outside of the basin.

Proper way to use Magnetic Jet System:

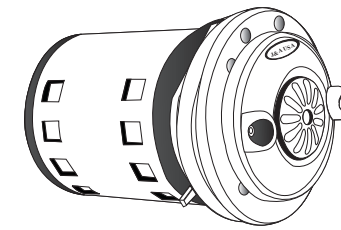
1. Fill the water to water level indicator.
2. Hold Magnetic Jet firmly to bring closer to the round magnetic field and do not release the Magnetic Jet prematurely or this will cause impacts on the jet cover and the round magnetic field(housing) shortening the life expectancy of the jet cover. When the jet cover nears the round magnetic field, place jet cover onto the four dimple area (see diagram). The jet cover must align with discharge ports positioned at 3/9 O'clock.
3. When finished with client, DO NOT remove Magnetic Jet until motor is fully stopped.
4. When motor is fully stopped, remove Magnetic Jet cover from the motor and remove jet cover and impeller for sanitation.



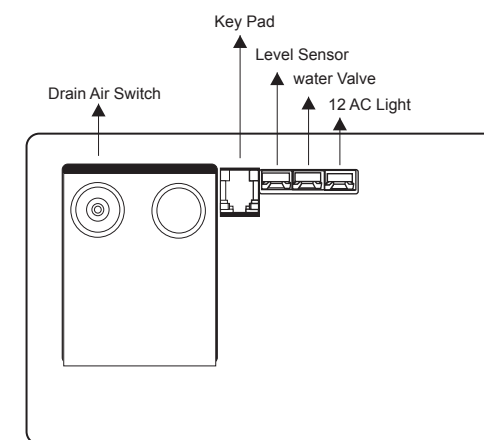
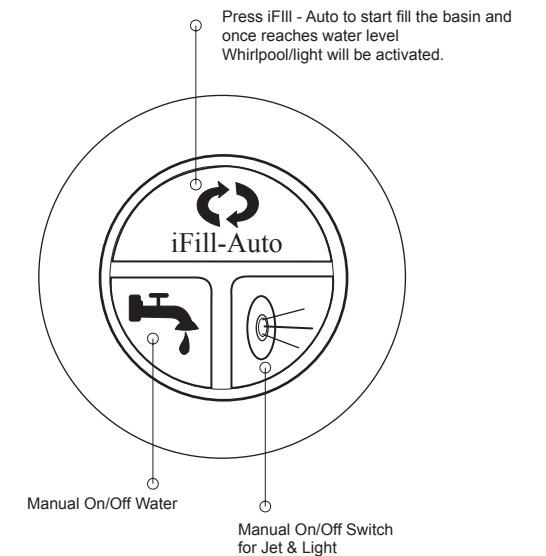
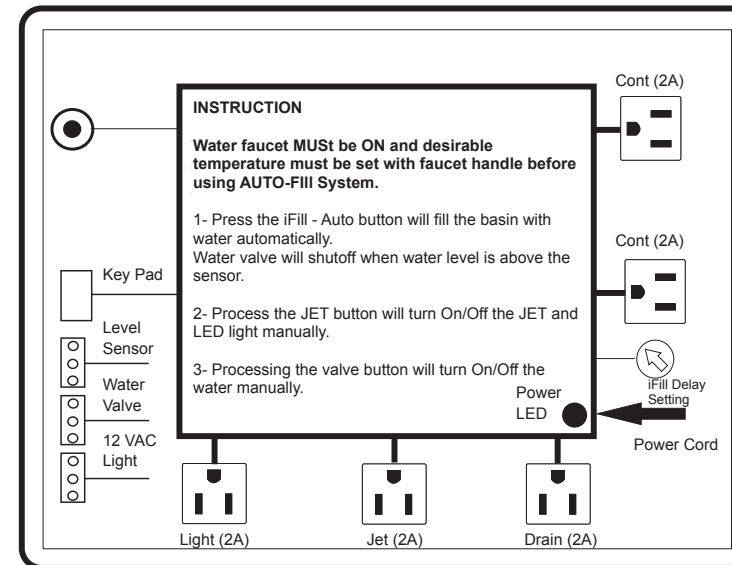
Auto Fill System (Optional)

Feature & Operation

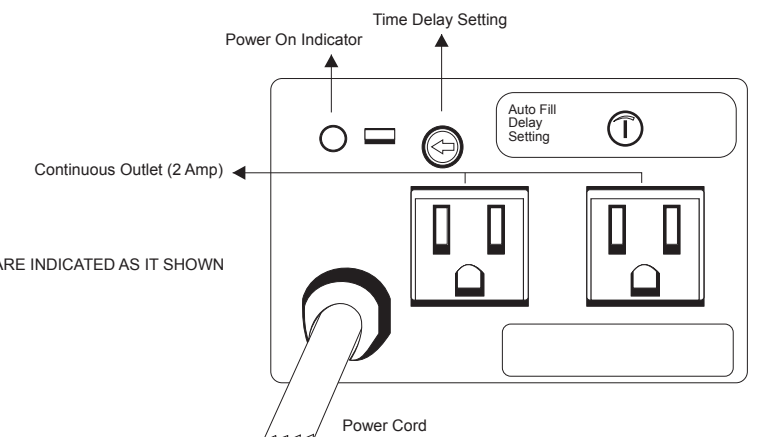
- a. Automatic spa fills with intelligent and reliable level sensor.
- b. Time delay setting
- c. Dual switched outlets/ Control box
- d. Dual continuous outlets
- e. Single drain pump controlled outlet with 3 minute timer (If drain pump requested as an option)
- f. Heavy duty water valve
- g. Operated in automatic or manual mode
- i. Built in LED light power supply
- j. Audible overflow warning in manual fill mode



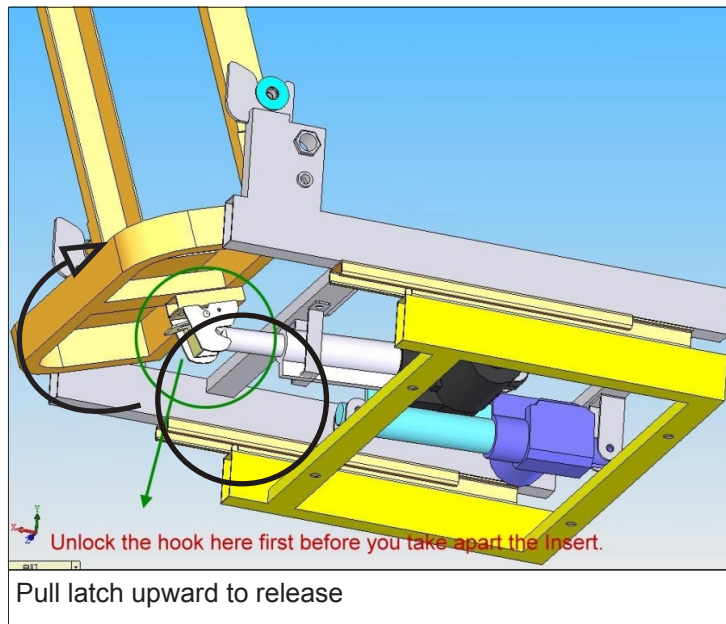
Dura Jet III Built - in Electrodes Water Sensor



ALL WIRES ARE INDICATED AS IT SHOWN

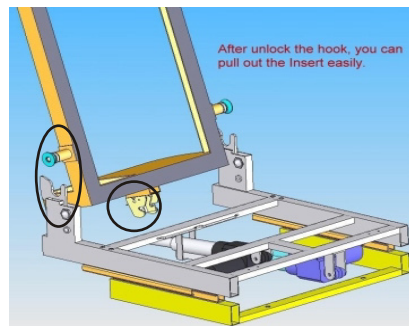


Placing Backrest in Correct Position



Detachment of Backrest

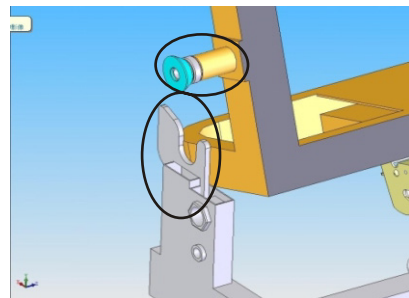
- Pull latch lever upward to release from recliner piston.
- As arrow indicates, bring backrest to fold onto the seat.
- Disconnect all cables (recliner, slider).



Attachment of Backrest

- On the lower portion of both side of the backrest, there are pivots.
- Align both pivots correctly so they rest perfectly onto the "U" pivot frame.
- Once both pivots sit snugly on the "U" pivot frame, align the release latch with the recliner piston and snap close.

Unlock the hook by pressing latch from recliner piston to pull out insert

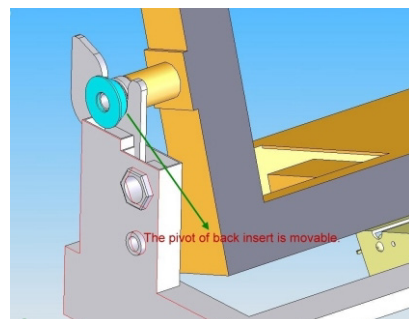


Before operating the chair upon attachment, check following items to ensure proper operation

Figure 1: Shows pivot and "U" pivot frame at correct alignment/ be sure to clear wire

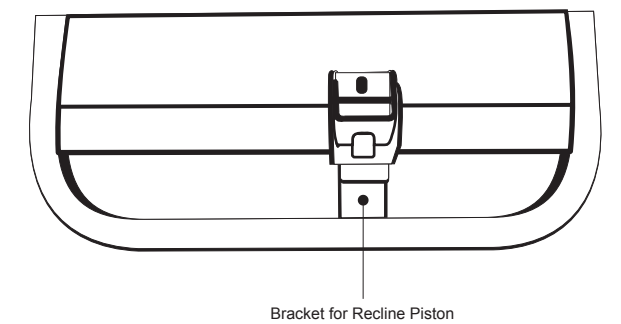
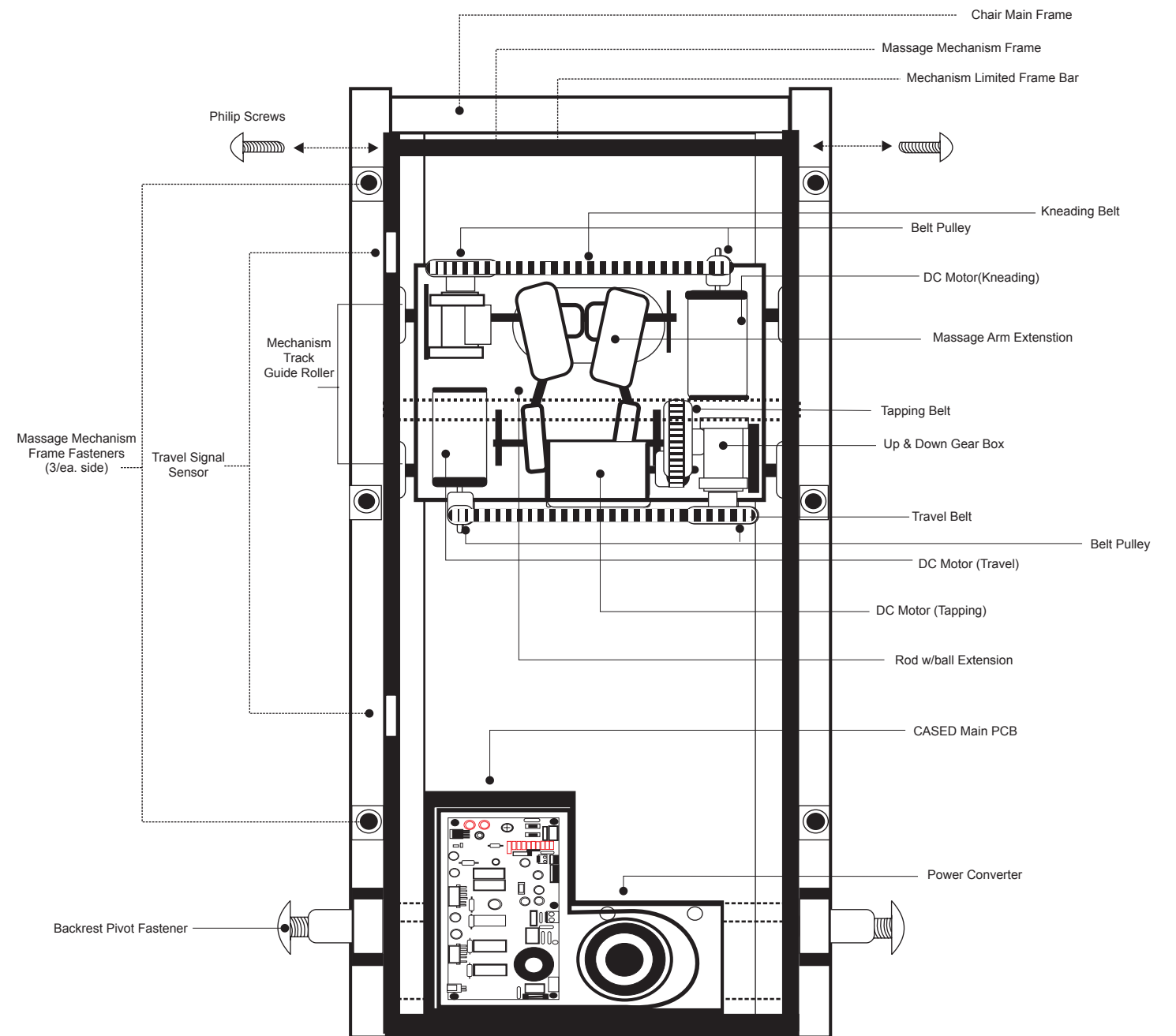
Figure 2: Close-up view of pivot and "U" pivot frame.

Figure 3: Shows correct pivot alignment.



The pivot of back insert is removable

Lenox LX: Massage Mechanism



Bracket for Recline Piston

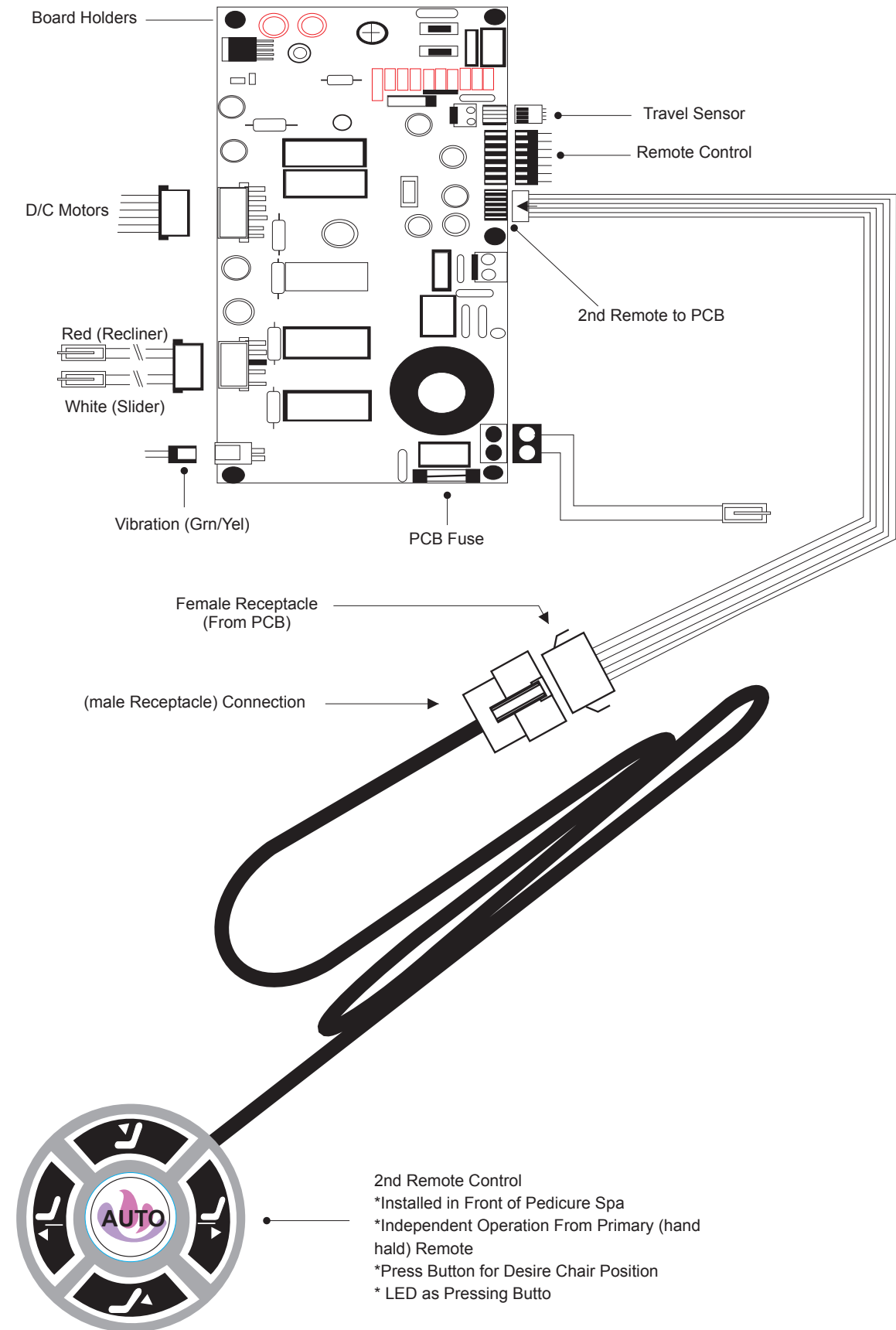
Lenox LX: Remote Control Functions



SHIATSU

1. Press Manual/ Timer to choose Shiatsu massage time selection.
2. Press massage range to select FULL or PARTIAL travel position.
3. Press tapping width to fine tune comfort.

2nd Remote Control Connection to Main PCB



Troubleshooting Guide

If there is still a problem after trying the solutions given in the troubleshooting guide, stop using the product immediately so as to prevent accident or injury and unplug the product from the wall outlet. For technical service, please contact LENOXtechnical support at 631-243-5300 with any issue that cannot be resolved using troubleshooting guide.

<ul style="list-style-type: none"> No water movement On/Off button - No click sound On/Off button - Click sound 	<ol style="list-style-type: none"> Verify unit is plugged in to live wall outlet. Press reset button on the wall outlet. Verify air activated tube is plugged in to black control box. Ensure that the magnetic jet assembly is properly and securely attached to the basin.
<ul style="list-style-type: none"> Water not Draining Not Draining properly Not Draining properly with PDP (Power Discharge Pump) 	<ol style="list-style-type: none"> Be sure Drain plug is set high enough to allow water to pass through (Gravity Drain) Check for plugged drain and clear if clog is found. If pump is heard, Check for plugged drain and clear if clog is found. If pump is heard, Check for air lock (see PDP in manual) follow instruction. If pump is not heard, verify discharge pump is properly connected to two minute timer and to black control box. If pump is not heard, verify two minute timer.
<ul style="list-style-type: none"> Water Pressure is low and/ or not coming out. The water sprayer is not working or very little water comes out of the sprayer. 	<ol style="list-style-type: none"> Verify if water utility valve is on. Check for loose water connections under the basin and at the rear of the basin Check if sprayer screen is clear. Verify if water supply braided hoses are snug and not twisted on the faucet.
<ul style="list-style-type: none"> Losing water The basin continually loses water either quickly or slowly 	<ol style="list-style-type: none"> Check drain plug for tears in rubber gasket Check drain plug height is correct and bolt below plug is tight. Verify drain strainer is tight. Verify if water level is correct.
<ul style="list-style-type: none"> Noise during operation During tapping and kneading. Sound of roller squeaky rubbing against cover. Clatter during normal operation. Vibrating mechanism noise. Sound of recline or slide mechanism. 	<p>These noises are a normal part of the product's operation and do not effect its performance in any way.</p>
<ul style="list-style-type: none"> Remote control do not work properly. Remote control working with out power light. Remote control with power light and not working properly 	<ol style="list-style-type: none"> Verify connection if fully plugged in. If chair is not return to normal, stop using the chair and unplug it from the wall outlet. <p>Contact the vendor or LENOXservice for assistance.</p>
<ul style="list-style-type: none"> Massage stops in the middle of the program 	<p>Reset the main power switch located at the rear of the chair to OFF and back ON after about 5 second.</p> <ol style="list-style-type: none"> if the chair return to normal, No further action is required. if the chair does not return to normal, stop using the chair and unplug it from the wall outlet. Contact the vendor or LENOXservice for assistance.
<ul style="list-style-type: none"> The roller stop during the massage 	<p>Sometimes when the speed is slow than a normal and there is too much pressure to the rollers, it may stop moving temporarily.</p> <p>This is not breakage. Just release pressure by lift body weight.</p>
<ul style="list-style-type: none"> The roller moved up or down and then stop. 	<p>Auto timer will cause the rollers to move up to the top of the chair and sometimes roller pass secondary stopper and causes mis-alignment of the roller.</p> <ol style="list-style-type: none"> contact vendor or LENOXservice for assistance.
<ul style="list-style-type: none"> The right and left rollers are out of alignment. 	<p>The rollers are designed to provide for alternating tapping function, So in the stopped position it seems they are out of sync. This is part of the design, and there is nothing wrong with product.</p>
<ul style="list-style-type: none"> Reclining and sliding cannot be perform 	<p>Check to be sure there are no objects between the seat back, where moving mechanism .</p> <p>This unit has maxium weight capacity of 225 lbs.</p>



Back Flow Protection Device (Dual Check Valve)

May.1.2014

In accordance with applicable Local or State regulations, J&A USA Inc., The manufacturer of the pedicure whirlpool spa certifies that the following models are equipped with factory installed Dual Check Valve back flow preventer:

- ** Lenox Series
- ** Cleo Series
- ** Episode Series
- ** Pacific Series
- ** Petra Series
- ** Toepia Series

The specification of the installed device is as follows:

DEVICE NAME	DUAL CHECK VALVE BACKFLOW PROTECTION
DEVICE MANUFACTURER	NEOPERL INC. Waterbury CT.
DEVICE MODEL	Dual Check Valve 1/2" x 1/2"NPT
DEVICE SPECIFICATION	TESTED AND CERTIFIED TO MEET NSF/ASSI 61 Complies with ANSI/ASME A112.18.3M, A112.18.1M AND CSA B125
DEVICE PRESSURE	MAXIMUM PRESSURE: 150 PSI (10 BAR) SERVICE PRESSURE : 80 PSI
DEVICE TEMPERATURE	MAXIMUM TEMPERATURE : 150F SERVICE TEMPERATURE : 90F

ALL MODELS OF PEDICURE SPA MENTIONED ABOVE ARE EQUIPPED WITH THE SUBJECT DEVICE AS STANDARD FEATURE. As for your information, indicated State requires Vaccum Breaker.

** Effective April 01 2005:

ARIZONA, CALIFORNIA, NEBRASKA, NEVADA, OREGON,
TEXAS AND WASHINGTON

** Effective June 15 2005:

ILLINOIS, MINNESOTA, WISCONSIN, MICHIGAN

** Effective May 01 2007:

CONNECTICUT

For additional information, Please contact us at 631-243-5300
Very Truly yours,

Technical Support

J&A USA Inc.
335 Crooked Hill Road
Brentwood, NY 11717
Tel: 631.243.3336
Fax: 631.243.3339
www.jausainc.com

Limited Warranty Registration Form

Important

To validate the limited warranty, The Limited Warranty Registration Form MUST be filled out completely and return to LENOX within 30 days of original purchased date. This Limited Warranty is valid if LENOX received registration from.

Serial No				Salon Phone Number			
<input type="text"/>	<input type="text"/>	<input type="text"/>	<input type="text"/>	<input type="text"/>	<input type="text"/>	<input type="text"/>	<input type="text"/>
Salon E-Mail Address				Cell Phone Number			
<input type="text"/>	<input type="text"/>	<input type="text"/>	<input type="text"/>	<input type="text"/>	<input type="text"/>	<input type="text"/>	<input type="text"/>
First Name		Last Name		Date of Purchase (mm/dd/yyyy)			
<input type="text"/>	<input type="text"/>	<input type="text"/>	<input type="text"/>	<input type="text"/>	<input type="text"/>	<input type="text"/>	<input type="text"/>
Salon Address							
<input type="text"/>	<input type="text"/>	<input type="text"/>	<input type="text"/>	<input type="text"/>	<input type="text"/>	<input type="text"/>	<input type="text"/>
City			State	Zip Code			
<input type="text"/>	<input type="text"/>	<input type="text"/>	<input type="text"/>	<input type="text"/>	<input type="text"/>	<input type="text"/>	<input type="text"/>
Name of Distributor							
<input type="text"/>	<input type="text"/>	<input type="text"/>	<input type="text"/>	<input type="text"/>	<input type="text"/>	<input type="text"/>	<input type="text"/>
City			State	Zip Code			
<input type="text"/>	<input type="text"/>	<input type="text"/>	<input type="text"/>	<input type="text"/>	<input type="text"/>	<input type="text"/>	<input type="text"/>

Completed Warranty Registration Form to:

LENOX Mail: 335 Crooked Hill Road, Brentwood N.Y 11717
 Fax: 631.243.3339
 Email: Info@lenoxpedicurechair.com

Questionnaires (We value your voice!)

- Are you satisfy with Pedicure Spa received? Yes: No:
- Are you currently using LENOX product/s? If so, How long? Yes: No: Year/s
- If not, What other product?
- What is the most important features in choosing pedicure Spa? Brand Design Function
 Service Price Other
- How long in business? Year/s
- How often are you remodel you Salon? Year/s
- Would you purchase LENOX product in the future? Yes: No:
- Do you want to receive a promotion by email? Yes: No:
- Any suggestion or Comment _____



LENOX.

335 CROOKED HILL RD., BRENTWOOD, NY 11717
1.631.243.3336 WWW.LENOXPEDICURECHAIR.COM

SERVICE & ORDER PARTS
1.631.243.5300 WWW.PEDISPAFIX.COM

CERTIFICATE OF COMPLIANCE

Certificate Number 20140428-E242637
Report Reference E242637-20040930
Issue Date 2014-APRIL-28

Issued to: J & A USA INC
335 CROOKED HILL RD
BRENTWOOD NY 11717

**This is to certify that
representative samples of**

PLUMBING ACCESSORIES
USL, CNL - Commercial-type, Whirlpool Pedicure Spas,
Models Cleo, Episode S-type, Lenox, Pacific and Petra
Model designation may be followed by any two-letter suffix,
not related to safety such as finish, special features etc


Have been investigated by UL in accordance with the
Standard(s) indicated on this Certificate.

Standard(s) for Safety: Standard for Electric Plumbing Accessories, UL 1951
Standard for Motor Operated Appliances (Household and
Commercial), CSA C22.2 No. 68-09

Additional Information: See the UL Online Certifications Directory at
www.ul.com/database for additional information

Only those products bearing the UL Listing Mark for the US and Canada should be considered as
being covered by UL's Listing and Follow-Up Service meeting the appropriate requirements for US
and Canada.

The UL Listing Mark for the US and Canada generally includes: the UL in a circle symbol with "C" and

"US" identifiers:  the word "LISTED"; a control number (may be alphanumeric) assigned by UL;
and the product category name (product identifier) as indicated in the appropriate UL Directory.

Look for the UL Listing Mark on the product.

William R. Carney

William R. Carney, Director, North American Certification Programs
UL LLC

Any information and documentation involving UL Mark services are provided on behalf of UL LLC (UL) or any authorized licensee of UL. For questions, please
contact a local UL Customer Service Representative at www.ul.com/contactus

