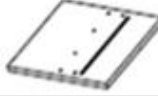




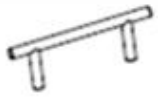







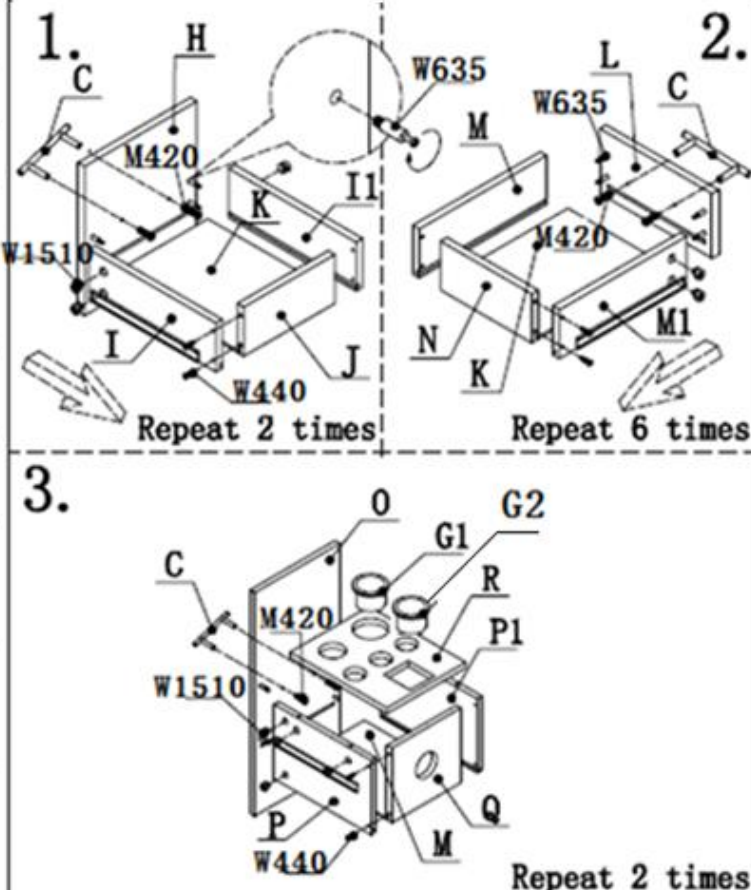


















	W635	106		305*265*15	2	H		1912*270*15	1	T
	W1510	106		300*156*15	2	I		1912*910*30	2	U
	C	12		300*156*15	2	I1		915*865*80	1	V
	M420	24		215*156*15	2	J		598*265*15	2	W
	W440	40		224*294*5	10	K	 <p>1. Repeat 2 times</p> <p>2. Repeat 6 times</p> <p>3. Repeat 2 times</p>			
	A	2		130*265*15	6	L				
	M416	24		300*76*15	6	M				
	M540	12		300*76*15	6	M1				
	F	2		215*76*15	6	N				
	G	4		597*265*15	2	O				
	G1	2		300*200*15	2	P				
	G2	6		300*200*15	2	P1				
				214*198*15	2	Q				
				300*245*15	2	R				
				430*270*15	5	S				
				430*270*15	5	S1				

See a Youtube video on how to install the drawers properly by entering the link below to the internet address bar:<https://www.youtube.com/watch?v=NHJShbvWgvg>

